

PERTRONIC INDUSTRIES LTD

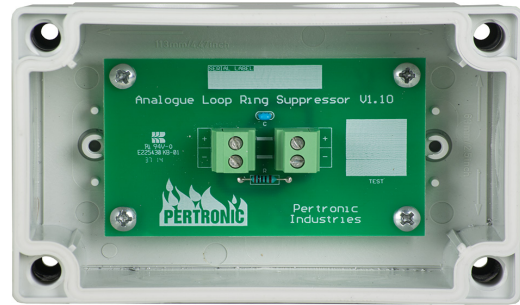


INSTALLATION NOTE

Analogue Loop Ring Suppressor

Overview:

The Pertronic Analogue Loop Ring Suppressor is an optional add-on designed to reduce 'ringing noise' that may be experienced with certain cable types



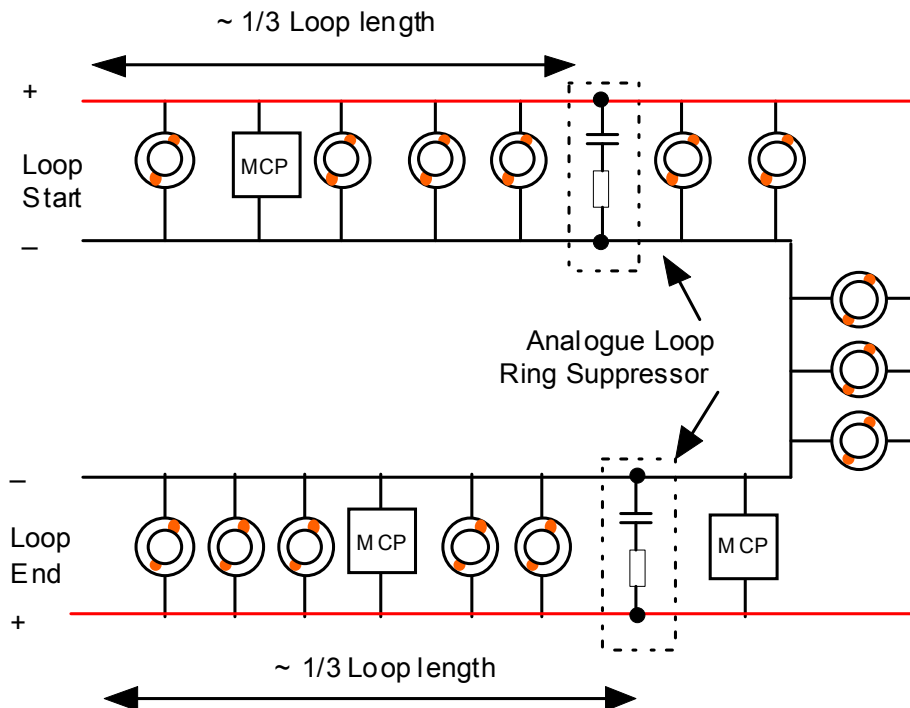
Specification:

Components: 100Ω ¼ W resistor in series with 100nF 63V capacitor

Mounting: PCB mounted inside a sturdy IP66/67, easy-mount grey ABS enclosure

Use: It is recommended to install a minimum of 2 Analogue Loop Noise Suppressor units approximately one at 1/3 and another at about 2/3 of the Loop wiring in situations where Loop communications problems are experienced

Connection Diagram:



Order Code:

Product	Order Code
Analogue Loop Ring Suppressor	ALRS