

Intelligent Modules

B524IEFT-1 and ISO524-1 – Short-Circuit Isolators

• Melbourne

Unit B2
2A Westall Rd
Springvale
VIC 3171
Tel (03) 9562 7577
Fax (03) 9562 8044
sales.vic@pertronic.com.au

• Sydney

Unit 19
287 Victoria Rd
Rydalmere
NSW 2116
Tel (02) 9638 7655
Fax (02) 9638 7688
sales.nsw@pertronic.com.au

• Brisbane

Unit 3
23 Anthony St
West End
QLD 4101
Tel (07) 3255 2222
Fax (07) 3255 1122
sales.qld@pertronic.com.au

• Adelaide

65 Manton Street
Hindmarsh
SA 5007
Tel (08) 8340 9533
Fax (08) 8340 9544
sales.sa@pertronic.com.au

• Perth

3/71 Beringarra Ave
Malaga
WA 6090
Tel (08) 6555 3008
Fax (08) 9248 3783
sales.wa@pertronic.com.au

www.pertronic.com.au

Product Overview:

The B524IEFT-1 Isolator Base and the ISO524-1 Short-Circuit Isolator are designed for use with System Sensor analogue detectors and modules. The Isolators prevent an entire communications loop from being disabled when a short-circuit occurs. It achieves this by isolating the portion of the loop containing the short from the remainder of the circuit. The isolators automatically restore the loop when the cause of the short-circuit is removed.

The ISO524-1 isolator may be installed in various convenient locations, such as junction boxes, behind sensor bases, within Call-Point back-boxes, or within SMB500 module boxes



Features:

B524IEFT:

- Low Current consumption : 100µA
- Complete Isolation of short-circuit cable between Isolators
- Automatic restore when short-circuit is corrected
- Rugged industrial construction
- Loop Positive (+ve) Isolation
- Low Profile (26mm)
- Remote LED connection
- Sensor continues to operate with a short-circuit on either side of the Isolator Base
- Up to 20 detectors or modules between Isolators



ISO524-1:

- Low Current consumption : 100µA
- Complete Isolation of short-circuit cable between Isolators
- Automatic restore when short-circuit is corrected
- Rugged industrial construction
- Loop Positive (+ve) Isolation

Specifications:

⦿ Voltage Range:	15 to 28.5VDC
⦿ Standby Current:	100uA @ 24 VDC
⦿ Maximum on Resistance (24V):	0.13 ohms
⦿ Maximum on Resistance (15V):	0.16 ohms
⦿ Off Resistance:	2200 ohms
⦿ Operating Temperature Range:	-30°C to 70°C
⦿ Humidity:	0 to 95%, Non-Condensing

B524IEFT-1

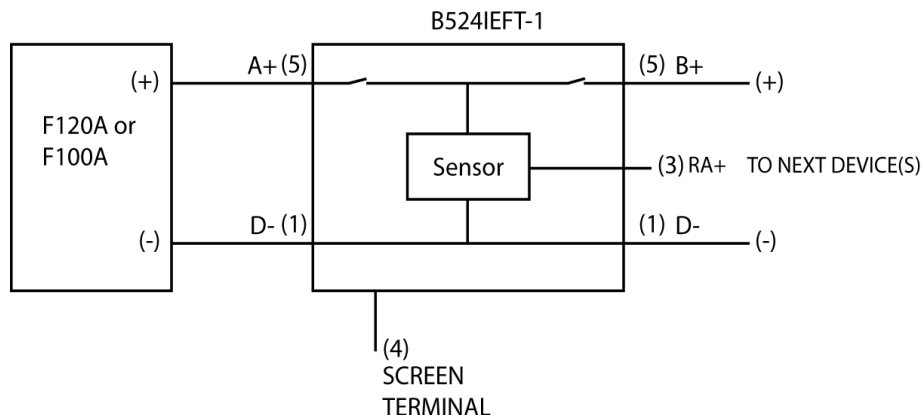
⦿ Base Diameter:	102mm
⦿ Base Height:	26mm
⦿ Weight:	70gm
⦿ Maximum Wire Gauge for Terminals	0.5mm ² to 1.5mm ²

ISO524-1

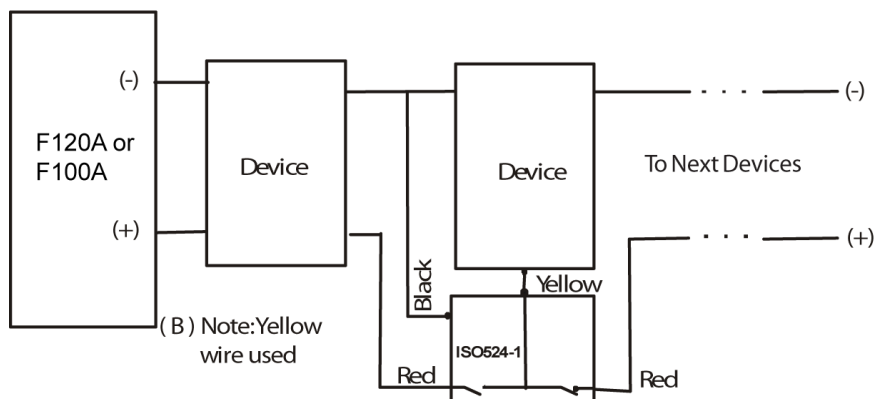
⦿ Size:	90 x 35 x 10	- L x W x H mm
⦿ Flying Lead Length	120mm	
⦿ Flying Lead Cable	Multi-strand 0.75mm ²	

Wiring Diagrams:

524IEFT-1



ISO524-1



Ordering Information:

Description	Part Number
Short-Circuit Isolator Base	B524IEFT-1
Short-Circuit Isolator	ISO524-1

PERTRONIC INDUSTRIES PTY LTD

Melbourne

Unit B2
2A Westall Rd
Springvale VIC 3171
Telephone: (03) 9562 7577
Fax: (03) 9562 8044
sales.vic@pertronic.com.au

Sydney

Unit 19
287 Victoria Rd
Rydalmere NSW 2116
Telephone: (02) 9638 7655
Fax: (02) 9638 7688
sales.nsw@pertronic.com.au

Brisbane

Unit 3
23 Anthony Street
West End Qld 4101
Telephone: (07) 3255 2222
Fax: (07) 3255 1122
sales.qld@pertronic.com.au

Adelaide

65 Manton Street
Hindmarsh
SA 5007
Telephone: (08) 8340 9533
Fax: (08) 8340 9544
sales.sa@pertronic.com.au

Perth

3/71 Beringarra Ave
Malaga
WA 6090
Telephone: (08) 6555 3008
Fax: (08) 9248 3783
sales.wa@pertronic.com.au