

PERTRONIC INDUSTRIES LTD



INSTALLATION NOTE Apartment Module

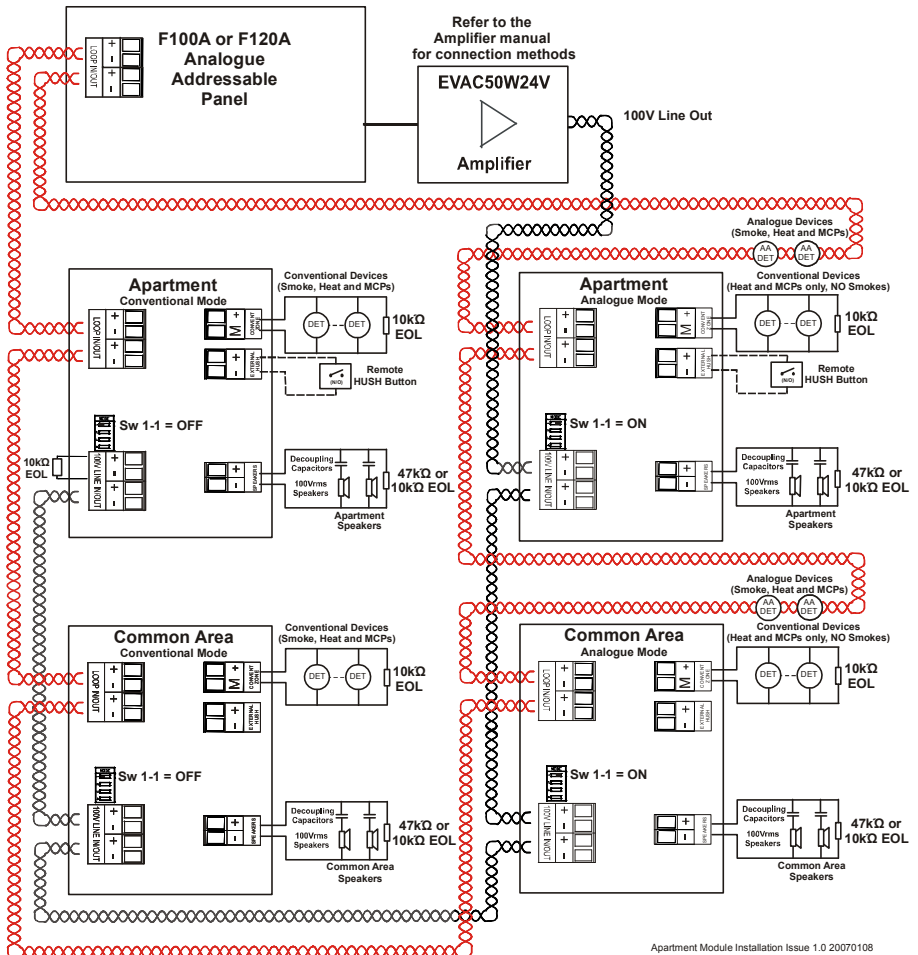
Overview

The Pertronic analogue addressable Apartment Module reduces the complexity of a 'Type 5' Fire system by combining many of the components required into one compact product.

Specification

Dimensions:	117 x 74 x 12 (height above flush box). Designed to mount in a standard electrical flush box.	H x W x Dmm
Loop Input/Output:	Connects to the Analogue Addressable Loop. Recommended Cable: 1.25mm ² red twisted pair (F100ZZCBL) running in a daisy-chained loop from the Analogue Addressable panel.	
Circuit Input:	Determined by the state of the configuration dip-switch SW1-1, which sets the mode of the Apartment Module.	
Mode 1:	SW1-1 set to OFF. Conventional Smoke Detectors, Indicating MCPs, and Indicating Heat Detectors may be used.	
Mode 2:	SW1-1 set to ON. Indicating MCPs and Heat Detectors ONLY may be used. Conventional Smoke Detectors may NOT be used. Analogue Smoke Detectors may be used. Recommended Cable: 1.25mm ² red twisted pair (F100ZZCBL) running from the Apartment Module and terminated with a 10kΩ EOL resistor.	
Line Input/Output:	Connects to the 100V Audio Line. Recommended Cable: 1.25mm ² grey twisted pair (EVACCBL) running daisy-chained from the Evacuation Amplifier(s) and terminated at the final Apartment Module with a 10kΩ EOL resistor.	
Speaker Output	A monitored relay output terminated with a 47kΩ EOL. Note: Early Apartment modules terminated with a 10kΩ EOL resistor; however, while still valid on current models, this is not recommended due to high cumulative loading. Recommended Cable: 1.25mm ² grey twisted pair (EVACCBL) running from the Apartment Module and terminated with a 47kΩ EOL resistor. Cabling may consist of up to 3 spurs, although a single spur is recommended.	
Addressing:	Each Apartment Module uses two loop addresses; therefore, each address should be set at least two apart from adjacent Apartment Modules.	
External Hush Button:	Provides for a remote Hush Button using a non-latching single-pole switch.	
Hush Switch:	Can be adjusted from 30 secs (SW5 = 0) to 5 mins (SW5 = 9) Time in 30-second increments.	

Connection Diagram:



The connection diagram illustrates the cable runs, the EOL monitoring resistors, and versatile connection of conventional and analogue devices to provide 'apartment' and 'common area' protection within a single system.