

Head Office

Wellington

PO Box 35-063
Naenae
Lower Hutt 5041
17 Eastern Hutt Rd
Wingate
Lower Hutt 5019
Tel (04) 567-3229
Fax (04) 567-3644

www.pertronic.co.nz

sales@pertronic.co.nz
tech@pertronic.co.nz

Auckland Office

PO Box 15-867
New Lynn
Auckland 0640
359 Onehunga Mall
Onehunga
Auckland 1061
Tel (09) 633-0226
Fax (09) 633-0228



ISO 9001: 2008

International
Standards
Certifications
QAC/R64/0012

Product Overview:

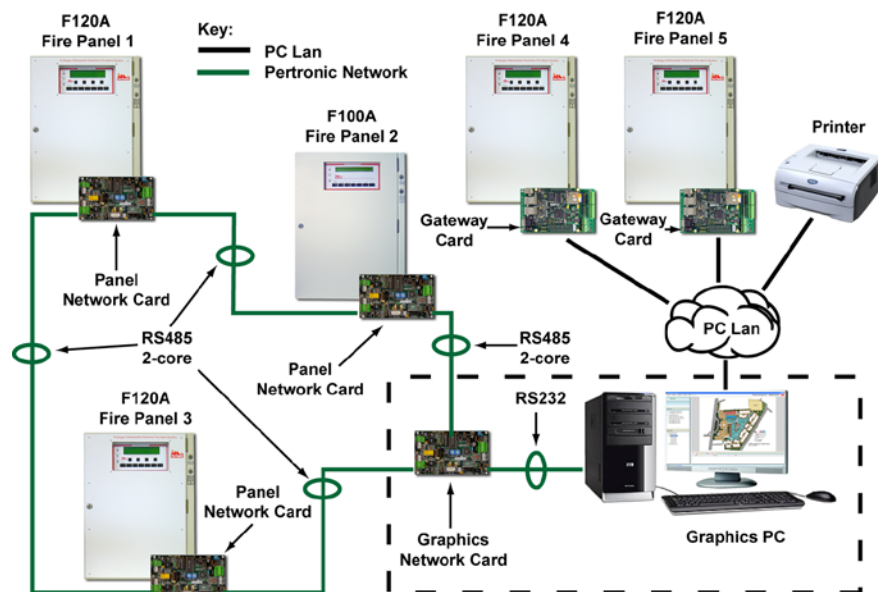
The Pertronic FireMap[®] Display System has been designed with 'ease of use' as a paramount objective. Users are assigned security levels and passwords by the system manager to allow access only to features they need.

The system allows navigation via the hierarchical map navigation view which is always visible. In the event of an alarm, the relevant map is automatically shown, indicating the position of the device in alarm, along with the event details.

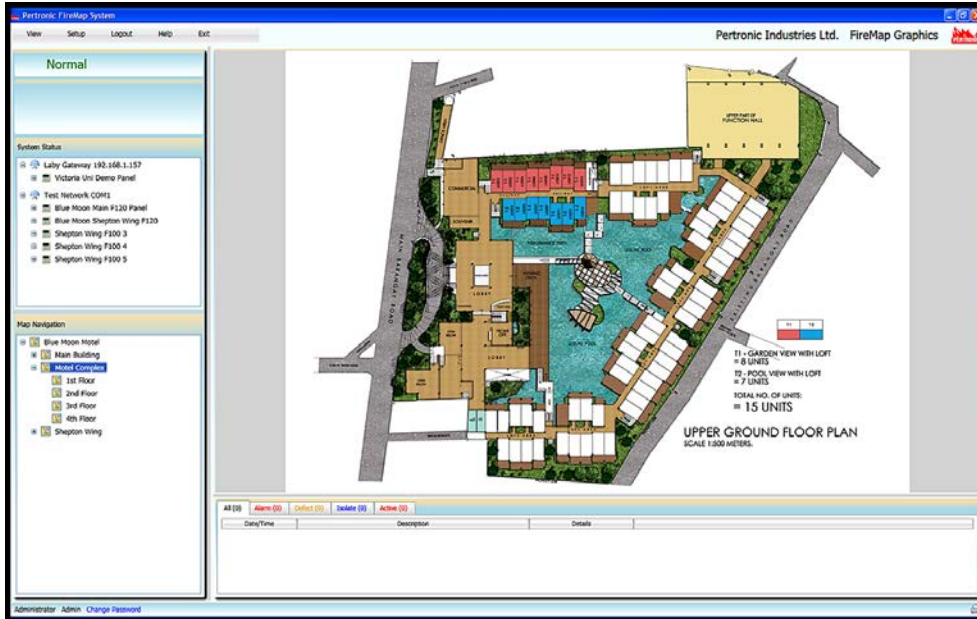
Features:

- ▶ Accepts single or multiple individual or networked Pertronic panel connections
- ▶ Connection via direct RS232 or Ethernet (LAN)
- ▶ Gateway Interface option for individual panels (RS485–LAN conversion)
- ▶ Commercial RS232–LAN converter option for network interfaces
- ▶ Imports F100A and F120A panel configuration text files for device data and location details
- ▶ Allows the user to carry out all map editing functions, including placement or movement of devices, using simple 'drag and drop' functionality
- ▶ Simple synchronization of panel configuration and graphics database
- ▶ Alarm Indication of devices not yet placed on maps
- ▶ Displays precise positioning of individual addressable devices within maps
- ▶ Colour coded display of each device's current status
- ▶ Utilizes *.png or *.jpg format files for map creation
- ▶ User creation of zone boundaries
- ▶ Current view print option at all times
- ▶ Overall system status indication by panel
- ▶ Configurable 'Home' view page
- ▶ Distinctive sounds for different event types
- ▶ User 'note' function to leave messages for other users
- ▶ Pager alert option available
- ▶ Loop device status download via Ethernet Gateway MK2 Interface
- ▶ Allows individual device or zone isolation and reset from alarm
- ▶ Panel/s can be directly controlled and interrogated from the PC individually
- ▶ Multiple user access with security login

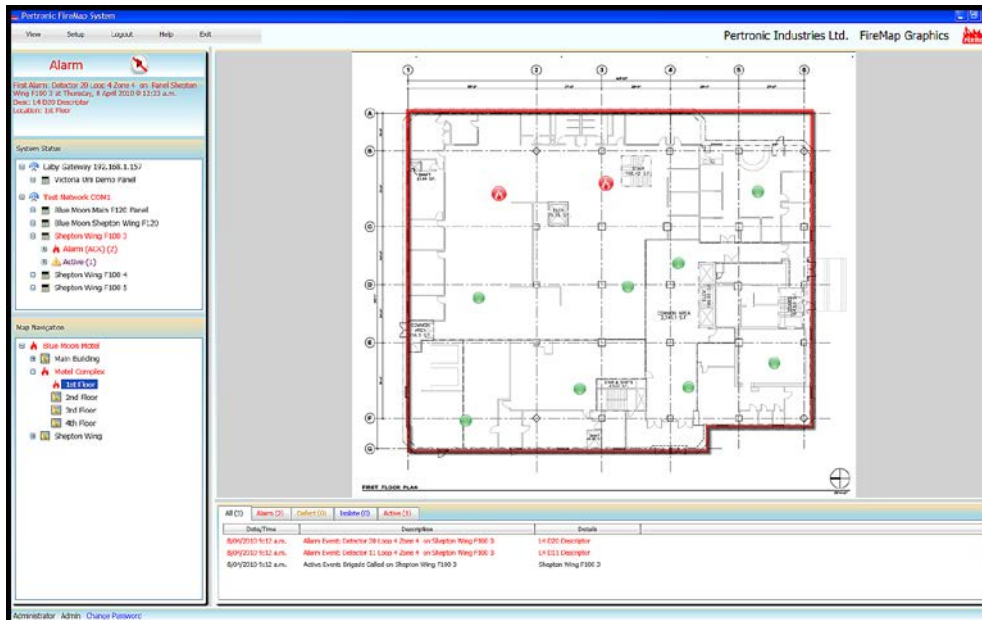
Typical Multi-Panel System Configuration:



FireMap Graphics System Screen Examples:



Typical Home Page View



Typical Alarm View Page

Minimum PC Specifications:

- ▶ 3GHz CPU, 4GB RAM, 80GB HDD, 1 x RS232, 2 x USB 2.0, DVD RW
- ▶ Windows 7, 64-bit
- ▶ TFT Screen 20" minimum, 1680 x 1050 (or higher) WSXGA (aspect ratio 1.6:1)

Product Codes:	
Code	Description
FIREMAP	FireMap Graphics Software
NETCD-NCU	Network Card for Network Control / Display Unit
NETCARD	Network Card - F100A/F120A Panels/LED Mimics
NET2GATE	Ethernet Gateway Card MK2

PERTRONIC INDUSTRIES LTD

Head Office:

17 Eastern Hutt Rd, Wingate, Lower Hutt 5019
Telephone (04) 567-3229 Fax (04) 567-3644

www.pertronic.co.nz

sales@pertronic.co.nz

tech@pertronic.co.nz

'Pertronic' and 'Firetronic' are registered trademarks of Pertronic Industries Ltd

Auckland Office:

359 Onehunga Mall, Onehunga, Auckland 1061
Telephone (09) 633-0226 Fax (09) 633-0228