

# PERTRONIC INDUSTRIES LTD

## Clean Contact Interface Board



### Overview:

The Clean Contact Interface board allows clean-contact auxiliary relay contacts or a switch to be interfaced to Pertronic Conventional Fire Alarm panels.

It is suitable for use with the F16e, F16, F4, or F1 panels, or with Loop Responders on analogue addressable systems.

When activated by opening a closed-contact (NZS 4512:2003), the zone's M-level clamps to indicate either Smoke or Heat detector activation—which is selectable with link (MJ1).

The Clean Contact Interface is housed in an ABS enclosure.

Dimensions: W = 57mm, D = 92mm, H = 38mm.

### Connectors:

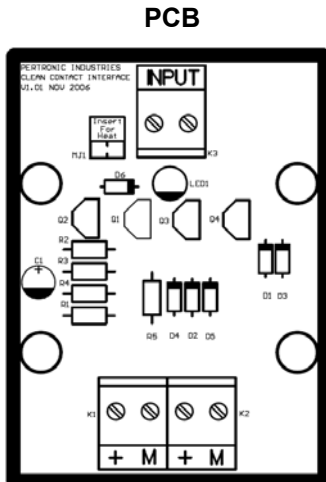
**K1/K2:** is a 4-pin connector to which the conventional circuit in and out connect.

**K3:** is a 2-pin input to which the activating switch or relay contacts connect.

Both connectors accept 2.5mm<sup>2</sup> conductors.

<b>MJ1:</b>	Smoke detector mode	- Link omitted
	Heat detector mode	- Link fitted

### Diagram:

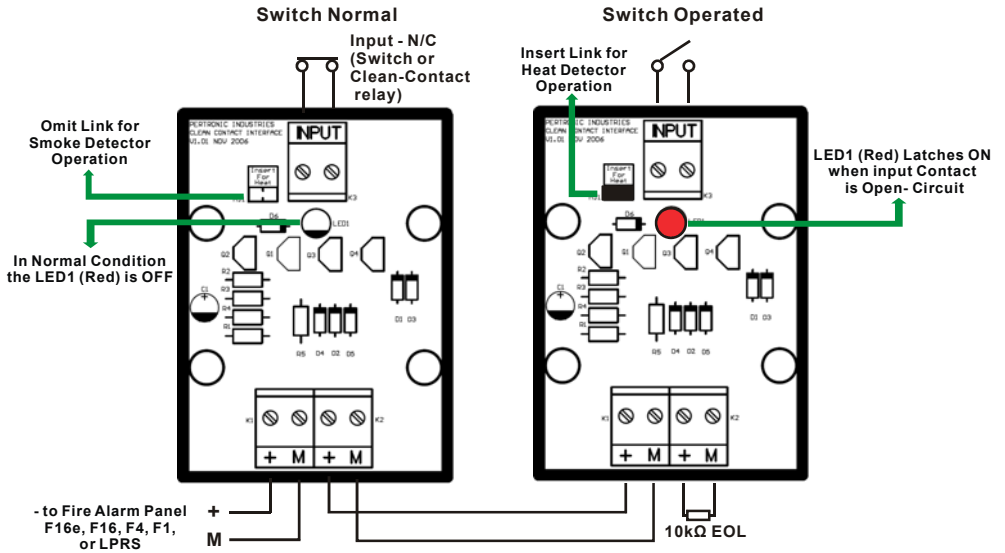


**PCB**



**Enclosure**

# Connection Diagram



## Product Code:

Description	Product Code
Conventional Clean Contact Interface	CCC1