

PERTRONIC INDUSTRIES LTD



INSTALLATION NOTE

Remote LED Indicator Unit

Overview

The Remote LED Indicator Unit is a remote annunciator designed and manufactured by Pertronic Industries. It is intended for use on System Sensor Conventional (Series 100 and 300) and Analogue (Series 200) Detectors as well as Pertronic Remote LED Indicating Heat Detectors.

Features

The Remote LED Indicator Unit is connected to the Remote Annunciator output of the System Sensor Detectors and the Remote LED output of the Pertronic Remote LED Indicating Heat Detector.

The Remote LED Indicator Unit provides a common negative terminal with three 'positive' input terminals as follows:

Terminal 1 - System Sensor Series 100 Conventional Detectors

Terminal 2 - System Sensor Series 200 Analogue Detectors

Terminal 3 - System Sensor Series 300 Conventional Detectors and Pertronic Remote LED Indicating Heat Detectors

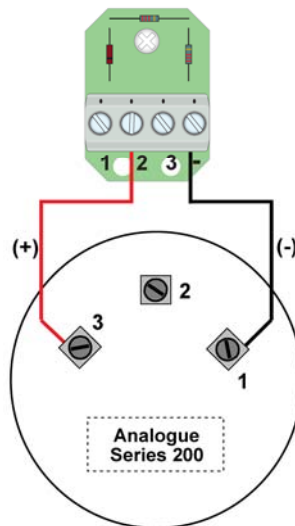
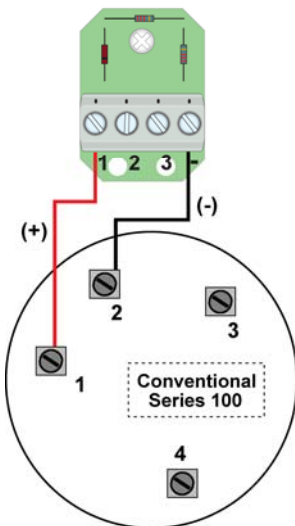
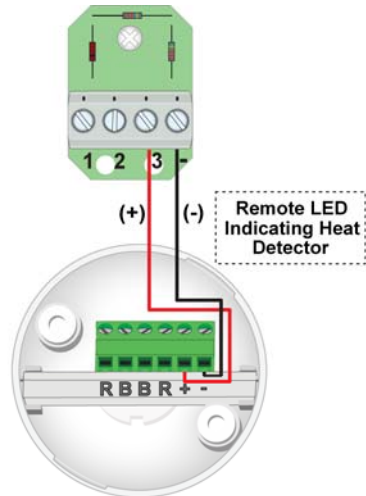
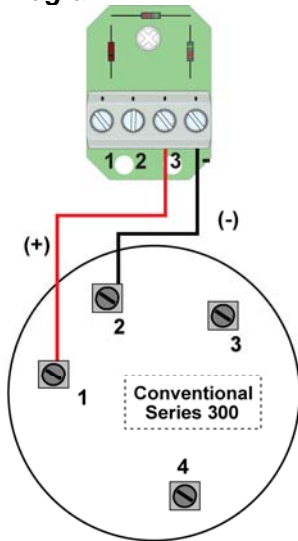


Operation

For Analogue (Series 200) detectors with LED blink on, the Remote LED Indicator Unit will flash when the device is polled.

For Conventional (Series 100 and 300) detectors, the Remote LED Indicator Unit will not flash when the device is in standby (LED blink) mode.

Wiring Diagram



NOTE: The wiring shown is additional to the normal detector field wiring. Refer to the corresponding Detector Installation Notes for connection diagrams.