

PERTRONIC INDUSTRIES LTD

Euro Conventional Indicating MCP (CPPINT-E)



Product Overview

The **Pertronic** Euro Style Conventional Indicating Manual Call-Point is a highly reliable Fire Alarm manual activation device with a compact, aesthetically pleasing, low-profile European style enclosure.



Features

- High reliability Fire Alarm activation device.
- Safe Secure Commissioning without the need to remove the faceplate.
- High reliability micro switch and inbuilt Alarm LED indicator.
- Low Profile Design.
- Electronic components protected from damage.
- Terminals accept 0.5mm² to 1.5mm² cables.
- Bi-directional circuit connection terminals.
- The MCP clamps the circuit voltage at 2.3Vdc.
- Compatible with 12V Bell reversal of F4-2W and F1-2W systems.
- Fully complies with NZS 4512:2010.
- Dual action, requiring a clear cover to be first lifted, then operating element depressed.
- Accommodates surface or flush mounting (Euro size backboxes required).

Specifications

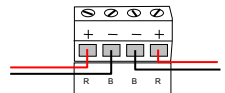
- Dimensions: 93mm(height) x89mm (width) x 27.5mm (depth above flush-box)
Supplied surface-mount box is 32mm in depth
- Electrical: Operating Voltage 10 to 30Vdc
Quiescent Current 0mA
Alarm Current Panel Dependent
- LED Indicator MCP Activated LED indicator Illuminates Red
- Environmental: Operating Temperature -10 to 40°C
Humidity 10 to 95% RH (non-condensing)

Compatibility

Indicating Manual Call-Points are compatible with any Pertronic Industries conventional circuit complying with NZS4512:2003 or NZS4512:2010.

Manual Call-Point Wiring

- Ensure rear-entry holes are drilled outside the 'PCB Area' to avoid damaging the PCB.
- After terminating the cables, ensure that any excess cable is outside the indicated 'PCB Area' to prevent damaging the PCB when the Manual Call-Point is assembled.



PERTRONIC INDUSTRIES LTD

Euro Conventional Indicating MCP (CPPINT-E)

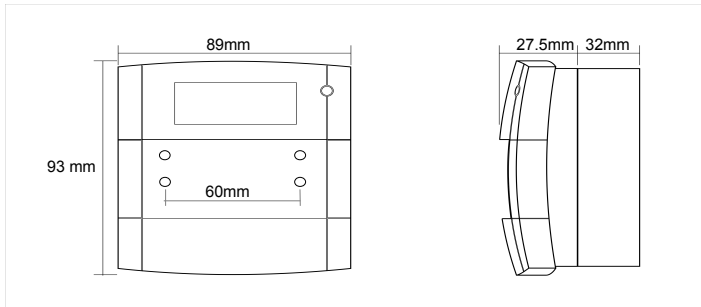
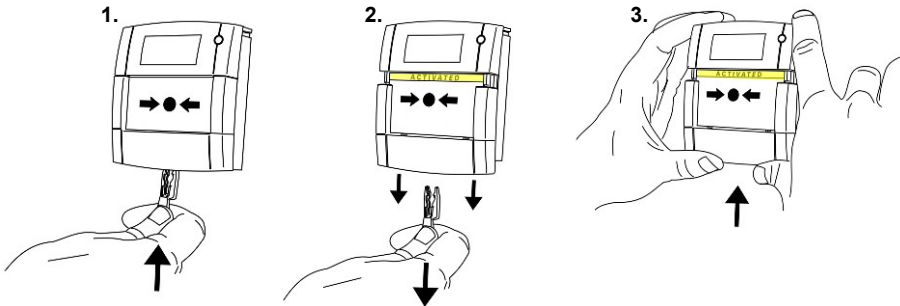


- Keep cable length inside the enclosure to a **maximum length of 150mm (6 inches)**. Alternately, push excess cable into the cavity outside the enclosure.

Commissioning

To ease the commissioning process, a special key is included with each MCP that enables 100% functional testing of the MCP.

1. To test the device, simply insert the Key into the hole on the bottom of the MCP after ensuring the Panel is in the 'Walk Test' mode.
2. Firmly push the key further up into the hole, and feel the bottom of the face plate release to expose the yellow stripe at the top of the operating element. The MCP will activate, and its LED will operate, putting the panel into alarm.
3. To reset the MCP, grasp the MCP, and firmly squeeze to slide the MCP face plate back together.



Product Codes

Description	Code
Conventional Euro Style Indicating Call-Point	CPPINT-E
Single, metal flush box (Available from Cory Electrical)	Cat No. 1547