

Head Office

Wellington

PO Box 35-063
Naenae
Lower Hutt 5041
17 Eastern Hutt Rd
Wingate
Lower Hutt 5019
Tel (04) 567-3229
Fax (04) 567-3644

www.pertronic.co.nz

sales@pertronic.co.nz
tech@pertronic.co.nz

Auckland Office

PO Box 15-867
New Lynn
Auckland 0640
359 Onehunga
Mall
Onehunga
Auckland 1061
Tel (09) 633-0226
Fax (09) 633-0228



ISO 9001: 2008

International
Standards
Certifications
QAC/R64/001

Product Overview:

The **Pertronic FAAST Power Supply AUX24V-1.3A** is a 24 Volt DC self-monitoring power supply suitable for powering ancillary fire alarm equipment including the FAAST range of aspirating smoke detectors. The unit incorporates a switched-mode mains power supply and an automatic voltage monitoring and battery test module.

The internal monitoring system continually checks the power supply's output voltage and verifies that the batteries are connected. At 24-hour intervals, the monitoring system automatically checks the battery capacity.

A changeover relay indicates when the monitoring system has detected a fault. A front panel LED provides local fault identification.

The cabinet will accommodate a pair of 12-Volt sealed lead-acid batteries with a capacity of up to 12 Amp-hours. If larger batteries are needed, a Pertronic 4 Amp power supply (**Auxiliary 24V-4A PSU**) should be used.

The power supply is supplied without batteries. The battery calculator on the Pertronic Industries web site may be used to work out the size of battery needed for a particular application.



FAAST Power Supply Unit.

Features:

- ▶ Temperature Compensated Output Voltage for Charging Lead-Acid Batteries.
- ▶ Mains on LED (green).
- ▶ Auto Test LED (yellow).
- ▶ Battery Fault LED (yellow). (Pulses when a fault is detected).
- ▶ Continuously Monitors DC Voltage.
- ▶ Continually Monitors Battery Presence.
- ▶ Automatic Battery Capacity Test. (Once every 24 hours).
- ▶ Internal RESET Switch:
 - ▶ Clears Fault Indications.
 - ▶ Initiates a one-hour Battery Capacity Test.

Specifications:

- ▶ **Input**
 - ▶ AC Input 200 – 260VAC, 50 – 60 Hz single phase.
 - ▶ Input Current 0.3 Amp maximum with 1.2 Amp DC load.
 - ▶ Inrush Current Limited by internal thermistor.
 - ▶ Turn-On Time 120 ms maximum at 230 VAC, 25 °C.
 - ▶ Input Protection Internal 1 Amp slow blow fuse.
- ▶ **Output**
 - ▶ Nominal Output Voltage 27.4 VDC ±1 % at 20 °C.
 - ▶ Power Supply Charger Current Current limited to 1.2 Amp.
 - ▶ Maximum Short-Term Output 2.5 Amp with 12 Amp-hour batteries fitted.
 - ▶ Temperature Coefficient 0.145 %/°C (set for battery charging).
 - ▶ Voltage Regulation 0.13 % over full load at 20 °C.

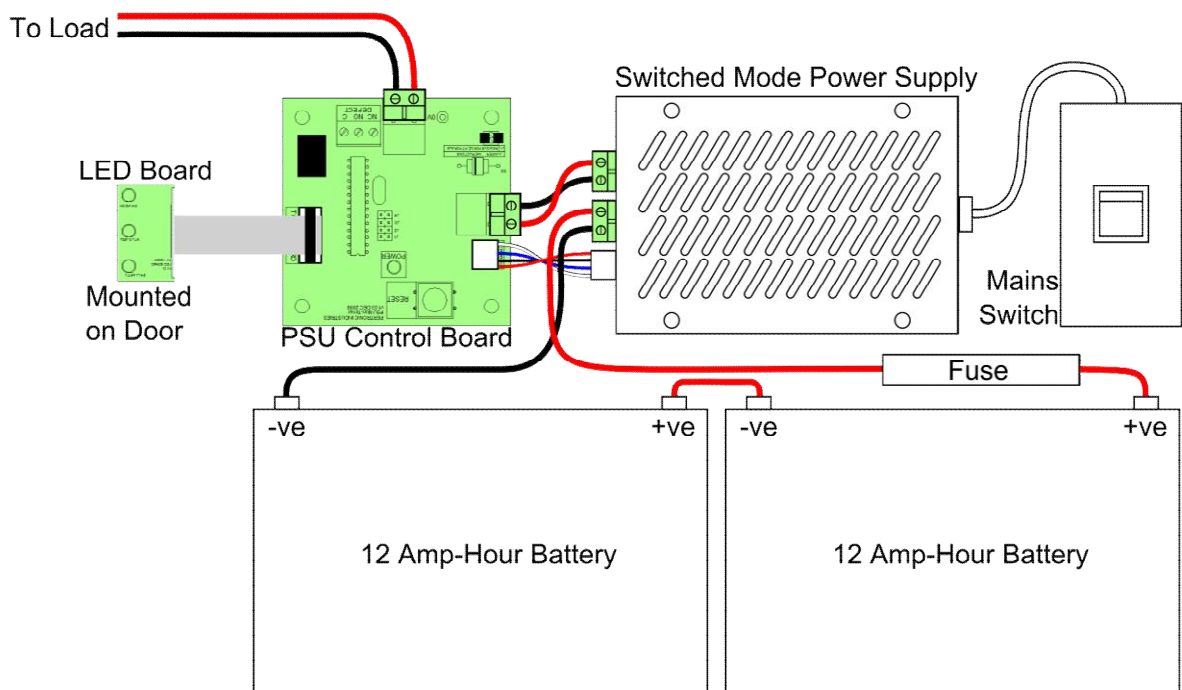
Specifications (cont'd):

- ▶ **Batteries**
 - ▶ Number and Type 2 x 12 Volt AGM Valve-Regulated Lead-Acid.
 - ▶ Capacity Maximum 12 Amp-hour.
- ▶ **General**
 - ▶ Mains Input Connector Termination block with an integral power switch.
 - ▶ DC Output Connector Two-way terminal block.
 - ▶ Defect Relay Output Normally energised, Change-over contact (C/NO/NC), 1 Amp @ 24 VDC.
 - ▶ Internal Control Reset / Timer initialisation switch.
 - ▶ Front Panel Indicator LEDs Mains (Green), Auto Test (Yellow), Battery Fault (Yellow).
 - ▶ Operating Temp. Range 0 °C to 40 °C.
 - ▶ Humidity 10 % to 95 % (non-condensing).
- ▶ **Physical**
 - ▶ Dimensions 230 x 350 x 120 (Height x Width x Depth mm).
 - ▶ Weight 2.8 kg (excluding batteries).

Mounting:

The power supply is designed to be wall-mounted. It should be mounted in a clean dry area with unobstructed natural convection between the unit and the wall. The cooling slots must not be restricted. Care must be taken to prevent reverse polarity connections between the power supply and load.

Wiring Diagram:



Ordering Information:

Product Code	Description
AUX24V/1.3PSU-BLK	FAAST Power Supply 24V/1.3A in Black Case.

Head Office:

17 Eastern Hutt Rd, Wingate, Lower Hutt
Tel (04) 567-3229 Fax (04) 567-3644

PERTRONIC INDUSTRIES LTD

www.pertronic.co.nz
sales@pertronic.co.nz
tech@pertronic.co.nz

Auckland Office:

359 Onehunga Mall, Onehunga, Auckland
Tel (09) 633-0226 Fax (09) 633-0228

'Pertronic' and 'Firetronix' are registered trademarks of Pertronic Industries Ltd