

# LTX Decoder/Driver

The LTX Decoder/Driver (LTX-DDV) board is designed to provide status outputs for an LTX-8 or LTX-16 Alarm Transmitter via its Local Indication Port (LIP).

The LTX-DDV board provides 40x250mA open-collector pulldown outputs, each mapped to a specific event.

If interfaced to an LTX8, a LTX8 LIP Encoder Interface board is required

## ***Features (standard configuration)***

- Latching or non-latching operation (link-selectable)
- Flashing or non-flashing outputs (link-selectable)
- SGD Isolate optionally translated to Defect (link-selectable)
- On-board visual indication for Global Defect and ATS Failure. LIP Poll Failure indicated via LED and external 12V pulldown output
- Multiple LTX-DDV boards can be operated from a single LTX
- SGD Fire & 16 SGD Defect (flashing)
- Global Fire (flashing & steady), Global Defect (flashing & steady) and Global Normal (steady)
- LTX-DDV Low Battery, LIP Poll Fail, ATS Poll Fail

In addition to the standard mapping, the LTX-DDV board can be factory-configured to customer specification:

- Mappable SGD status codes are Fire, Defect, Isolate, Test, Normal and Communications Fail
- Mappable LTX status codes are ATS Fail, Low Battery, Mains Fail, Tamper and Door Open
- Other mappable codes are Low Battery and LIP Poll Fail for the LTX-DDV board

## ***SPECIFICATIONS***

Size:	195W x 250H x 25D (mm)
Power Supply:	13.6VDC (12V nominal), recommended 1A minimum
Min Current:	35mA (in NORMAL state)
Max Current:	90mA (all outputs on, excluding external loads)

## ***PART CODES***

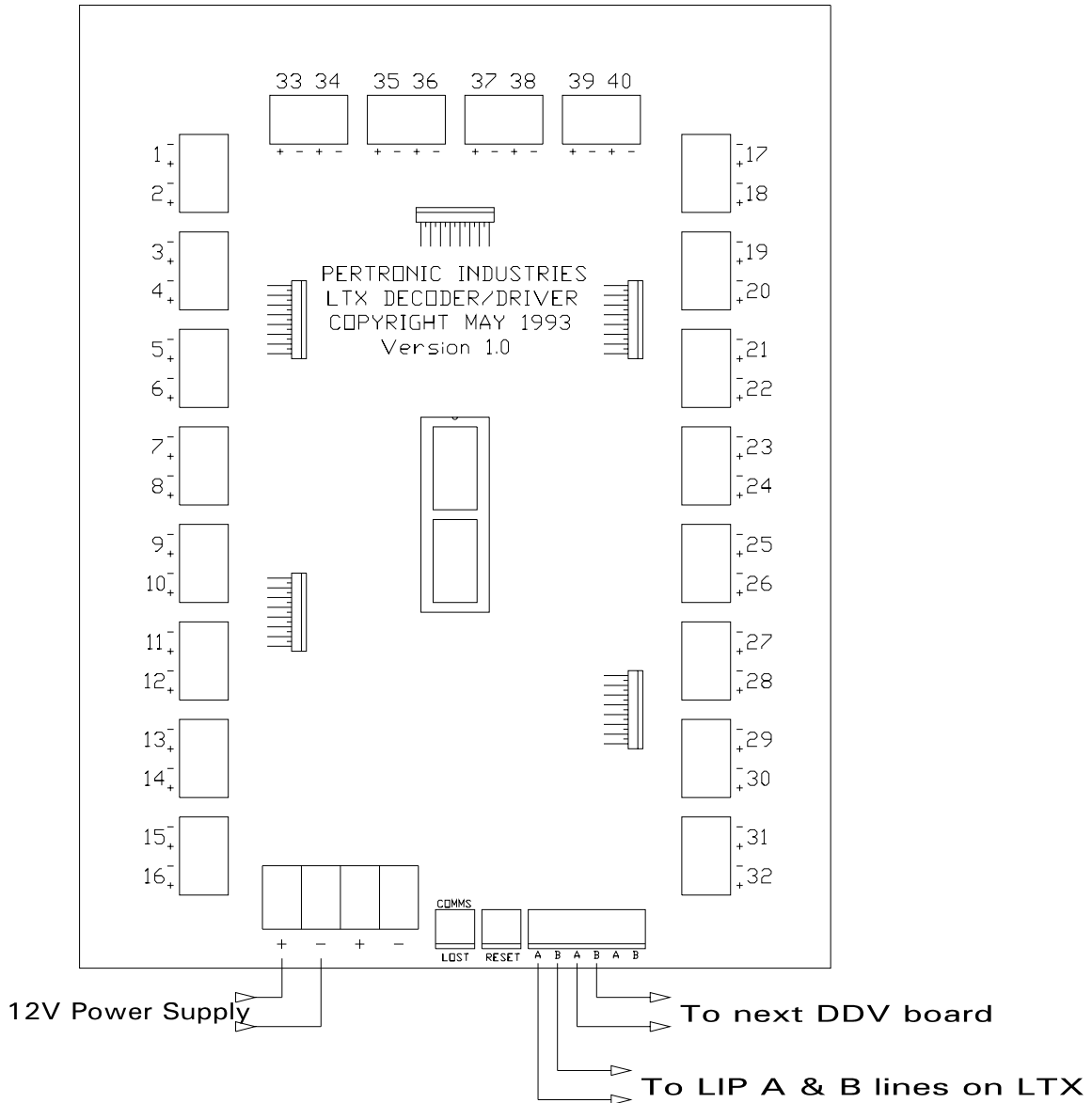
LTX16DBD	LTX16 Decoder Driver printb'd assy, v1.0
LTX8ENC	LTX-8 Encoder, v1.0

Firetronix and Pertronic are registered trademarks of Pertronic Industries Ltd

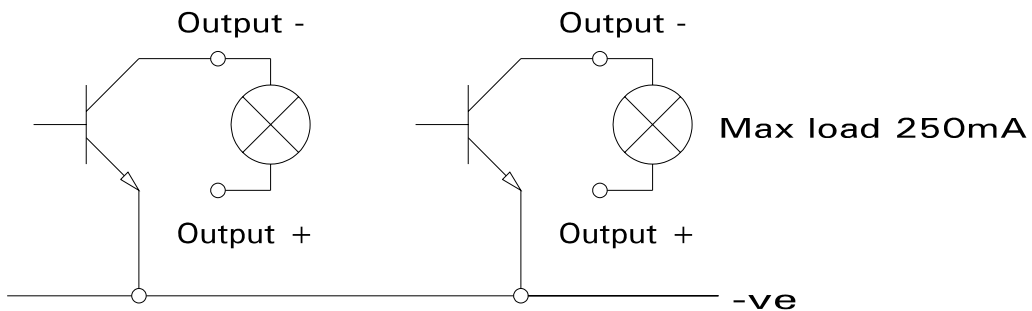
**PERTRONIC INDUSTRIES LTD**  
17 Eastern Hutt Road, Wingate, Lower Hutt  
P.O. Box 35-063, Wellington, New Zealand

Telephone: (04) 567 3229  
Fax: (04) 567 3644  
email: sales@pertronic.co.nz

**Connections:**



**Typical Output Circuit**



Firetronix and Pertronic are registered trademarks of Pertronic Industries Ltd

**PERTRONIC INDUSTRIES LTD**  
 17 Eastern Hutt Road, Wingate, Lower Hutt  
 P.O. Box 35-063, Wellington, New Zealand

Telephone: (04) 567 3229  
 Fax: (04) 567 3644  
 email: sales@pertronic.co.nz