

Head Office

Wellington

PO Box 35-063
 Naenae
 Lower Hutt 5041
 17 Eastern Hutt Rd
 Wingate
 Lower Hutt 5019
 Tel (04) 567-3229
 Fax (04) 567-3644

www.pertronic.co.nz

sales@pertronic.co.nz
 tech@pertronic.co.nz

Auckland Office

PO Box 15-867
 New Lynn
 Auckland 0640
 359 Onehunga Mall
 Onehunga
 Auckland 1061
 Tel (09) 633-0226
 Fax (09) 633-0228



ISO 9001: 2000

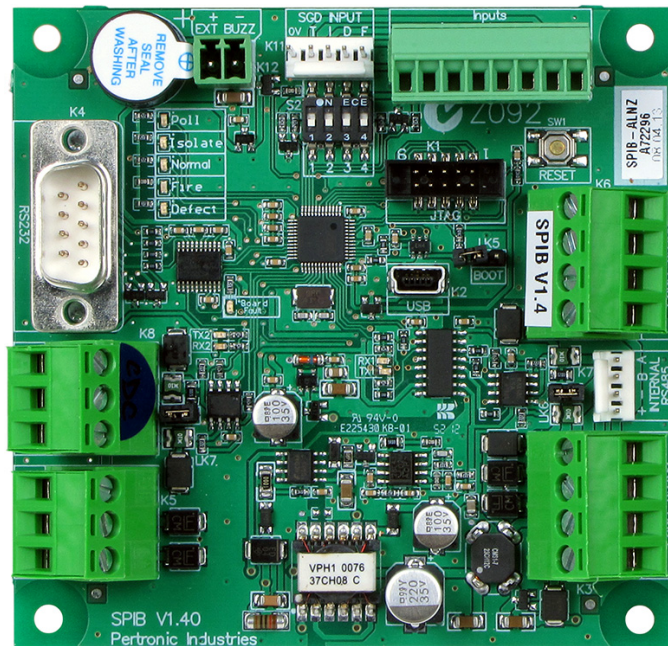
International
 Standards
 Certifications
 QAC/R61/0051

Product Overview:

The SPIB-SGDAP (Special Protocol Interface Board – Signal Generating Device Advanced Protocol) provides a cost effective method of interfacing Pertronic Industries F100A and F120A Fire Alarm Panels with transmitting devices connected to the NZ Fire Service Alarm Transport System (ATS).

Features:

- ▶ Enables full Alarm information to be transmitted to the alarm monitoring service.
- ▶ Powered by the ATS Transmitting Device (ATS-TxD) to comply with NZS4512:2010.
- ▶ Monitoring System Indicator LEDs: Poll, Isolate, Normal, Fire and Defect.
- ▶ Onboard buzzer.

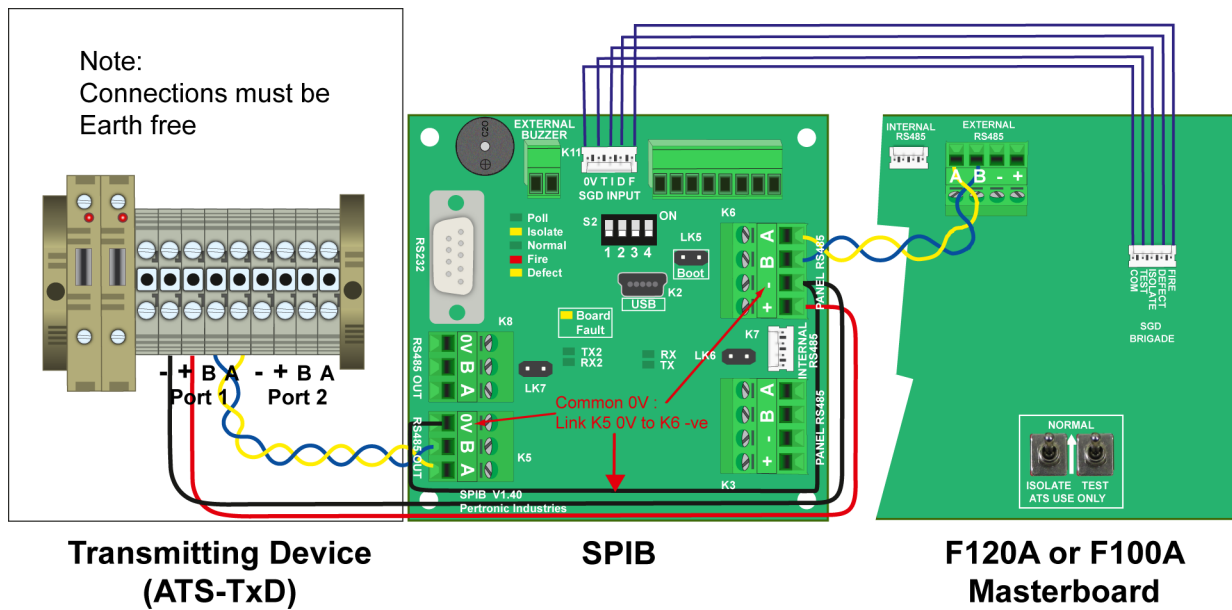


SPIB – SGDAP Board

Specifications:

- | | |
|---|---------------------------------|
| ▶ PCB Dimensions | 94.0 x 96.5 (Height x Width mm) |
| ▶ Mounting Holes | 4 x 4mm diameter |
| ▶ Power Supply | 11 to 30VDC from ATS - TxD |
| ▶ Typical Power Consumption (24VDC) | 21mA |
| ▶ External Buzzer Output Current Capability | 50mA |

Diagram:



Product Codes:

Code	Description
SPIB-SGDAP	Special Protocol Interface Board SGDAP Version

PERTRONIC INDUSTRIES LTD

Head Office:

17 Eastern Hutt Rd, Wingate, Lower Hutt 5019
Telephone (04) 567-3229 Fax (04) 567-3644

www.pertronic.co.nz
sales@pertronic.co.nz
tech@pertronic.co.nz

Auckland Office:

359 Onehunga Mall, Onehunga, Auckland 1061
Telephone (09) 633-0226 Fax (09) 633-0228

'Pertronic' and 'Firetronix' are registered trademarks of Pertronic Industries Ltd