

## ARCSI-MM ARC Solenoid Interface Module Monitored INSTALLATION NOTE

### Overview

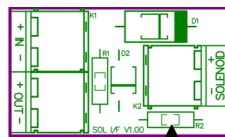
The Pertronic **Solenoid Interface Module Monitored** (ARCSI-MM) allows analogue addressable control modules to monitor and activate a wide range of solenoids.

The Solenoid Interface provides an end-of-line resistance which allows System Sensor modules such as the M500S or SC-6 to correctly identify open circuit fault conditions. If the solenoid is disconnected, or if the wiring breaks, the module will report a defect to the fire alarm panel.

### Specification

- Dimensions: 20.5 x 35.5 x 15 mm L x W x H
- Mounting: To be fitted as close as possible to the solenoid(s) to be controlled and monitored
- Operating Voltage: 0 Vdc to 30 Vdc
- Connections:
  - Solenoid: The **Solenoid Interface Module Monitored** output connects to the solenoid(s) to be monitored / activated
  - IN/OUT: Connects from the output of a System Sensor Control module output to one and optionally to a second ARCSI-MM
- Monitoring: Monitoring resistance is integrated on the PCB

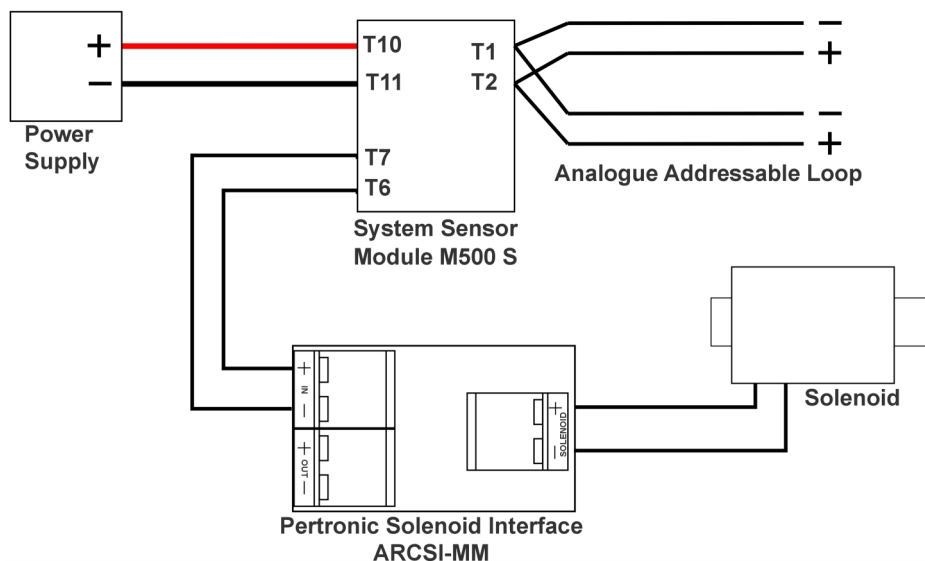
**Note:** A maximum of two solenoids can be connected in parallel to the detonation output. In this situation two ARCSI-MM must be used and the resistor (R2) shown in the diagram removed on each to adjust the monitored output module EOL resistance.



Remove this resistor  
(If two ARCSI-MM are used)

- Function:** Active = True (polarity as marked)
- Monitoring = False (reverse polarity)

### Typical Connection Diagram:



### Order Code:

Product Code	Description
ARCSI-MM	ARC Solenoid Interface Module Monitored