

PSS3 88mm 3W Ceiling Speaker

Overview

The PSS3 is a 88mm (3.5") in-ceiling speaker with built-in 100Vrms line transformer and 22 μ F DC blocking capacitor. The 100V transformer reduces line losses for longer line distances and allows easy parallel connection of multiple loudspeakers. The blocking capacitor allows DC monitoring of the speaker circuit.

The 88mm speaker is designed for a wide frequency response of 100-16kHz. The unit has multiple power taps of 0.33W, 0.66W, 1.25W and 3W, for different applications, depending on room size and ambient noise conditions. The body is coloured in an attractive RAL9016 white colour, the spring clamps make for an easy and secure installation and ease of service access.

The PSS3 is an ideal choice for industrial and commercial applications such as in hotels, schools, offices, hospitals, and factories. Note, however, that this speaker is not appropriate in situations where exposure to moisture, extreme humidity, severe vibration, dust, smoke, static electricity, or steam is expected.



Features

- Quick-fit mounting clamps for ceiling installation
- Built-in 100Vrms transformer with protective cover
- 22 μ F bipolar blocking capacitor included
- 88mm (3.5") speaker unit
- Power taps of 0.33W, 0.66W, 1.25W and 3W @ 100V
- Plastic speaker body colour is RAL 9016 White

Specification

Audio Power taps available at 100Vrms:

0.33W, 0.66W, 1.25W and 3W

Sensitivity:

88dB (1W @ 1m)

Ceiling Hole Size for installation:

108mm diameter

Dimensions:

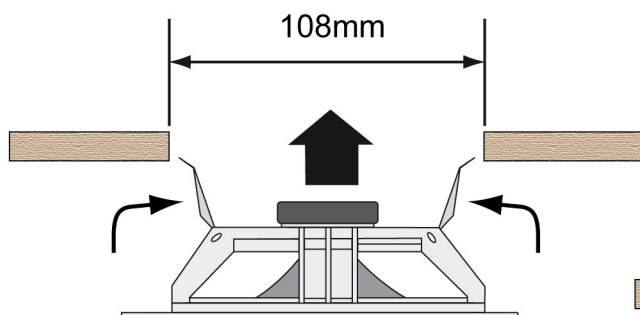
136mm diameter x 100mm height

Weight:

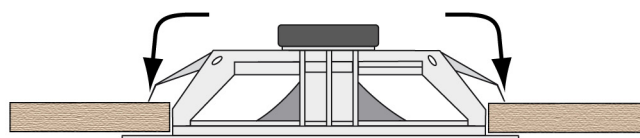
0.54 Kg

Installation Steps

1. Cut a 108mm diameter hole in the ceiling.
2. Fit audio cabling to the speaker terminal block as required, observing the correct polarity
3. Set the initial power tap as desired. The default setting, on the side of the transformer, is 0.33W. Unplug the connector and fit to the desired tap.
4. Ensure that the two spring clamps are in the *Install position*, as shown below.
5. Push the speaker assembly upwards into the ceiling hole until the two clamps automatically engage, as shown below.
6. Test the sound system and if necessary, remove the speaker to adjust the power tap accordingly.



2 quick-mount clamps in *Install position*



Clamps automatically engage ceiling

To remove the speaker assembly from the ceiling, gently pull the speaker downwards to disengage the clamps. Do not allow the speaker to be supported by the cables alone.

Order Code:

Product	Order Code
88mm 3W Ceiling Speaker	PSS3