

### PSSHORN 3W Horn Speaker

#### Overview:

The PSSHORN is a horn loudspeaker with built-in 100Vrms line transformer and 22 $\mu$ F DC blocking capacitor. The 100V transformer reduces line losses for longer line distances and allows easy parallel connection of multiple loudspeakers. The blocking capacitor allows DC monitoring of speaker circuit.

The in-built speaker driver is designed for a wide frequency response of 250Hz - 18kHz. The unit has power taps of 1W and 3W for different applications, depending on room size and ambient noise conditions. The ABS enclosure is coloured white; the metal mounting bracket makes for easy and secure wall mounting.

The PSSHORN is an ideal choice for indoor, industrial and commercial applications such as hotels, schools, offices, hospitals and factories.



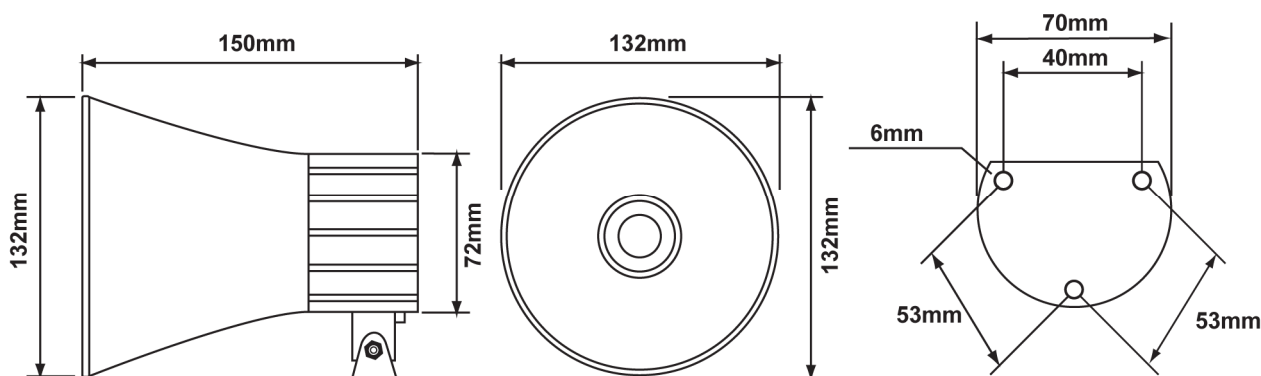
#### Features:

- Power taps of 1W and 3W @ 100V
- 22 $\mu$ F bipolar blocking capacitor included
- ABS enclosure with metal mounting bracket
- Low impedance horn speaker

### Specification:

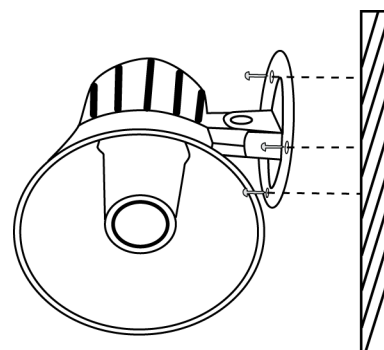
Power Taps@ 100V:	1W/3W
Impedance:	1W 10kΩ, 3W 3.3kΩ
Sensitivity:	102dB ± 3dB (1W @ 1m)
Freq Response:	250Hz – 18kHz
Colour:	White
Material:	ABS
Dimensions:	Length 150mm x Height 132mm
Weight:	500g

### Dimensions:

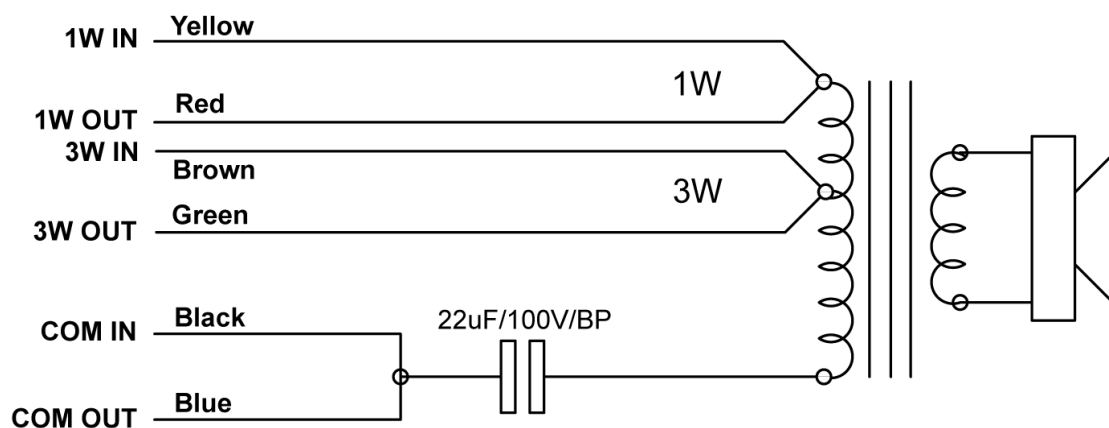


### Installation:

1. Select a suitable location for mounting PSSHORN to wall.
2. Mark, then drill three holes through the metal bracket to mount the horn to the wall as shown in diagram on right.
3. Mount horn to location using three mounting screws appropriate to the applicable wall material used.
4. Connect to the power tap wire as required and ensure the In wire and Out wire are used.



### Connection:



### Order Code:

Product	Order Code
Horn Speaker + Line TX, 1W/3W @ 100V	PSSHORN