

# S900RL S900RLFIRE SpectrAlert Strobe



S900RLFIRE



S900RL

## Models

S900RL  
S900RLFIRE

## General Description

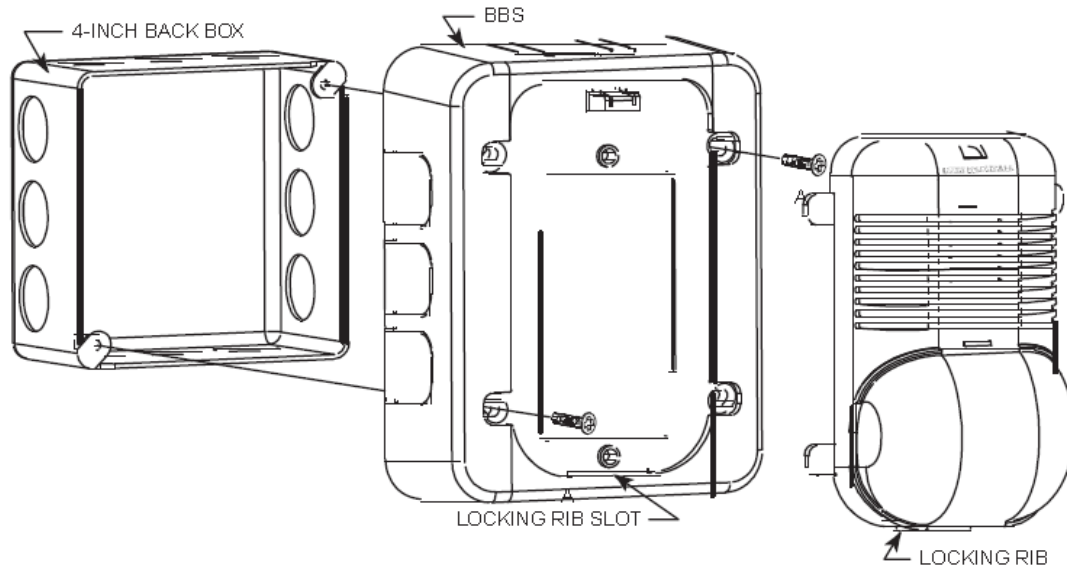
The **S900RL** and **S900RLFIRE** SpectrAlert strobes by System Sensor are a series of visual signaling devices for use on fire alarm applications. The S900RLFIRE strobe has the word 'FIRE' printed in 25mm height lettering on the cover, whereas the S900RL has a plain cover. These strobes are designed to be used on 24 Volt DC systems and have low operating current. When these strobes operate on the rated supply voltage, they will flash once per second until the power supply is switched off.

Note: They are not compatible for use with MDL or MDL3 synchronization modules or coded power supplies.

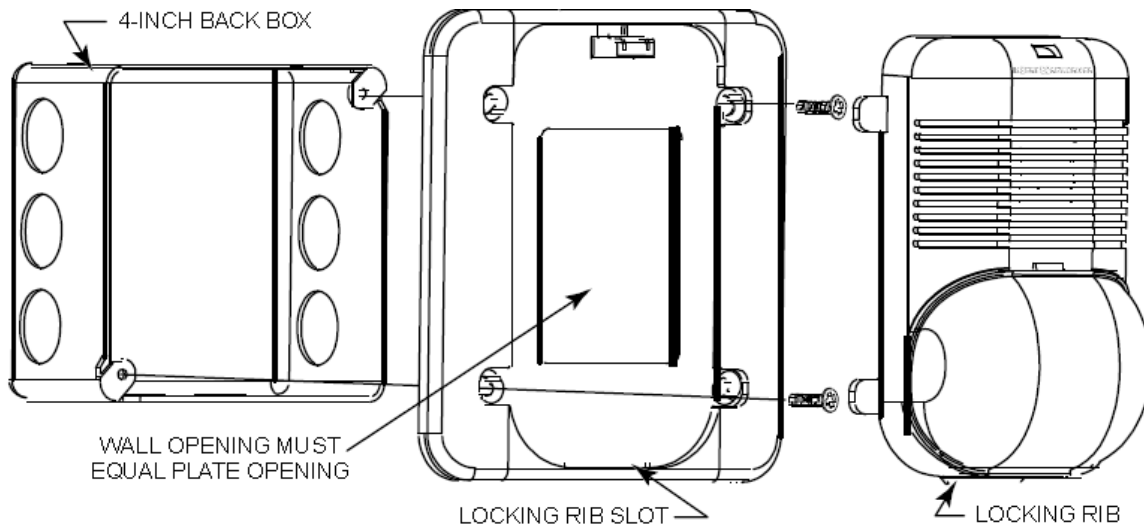
## Technical Specifications

Dimensions:	142.7 × 126.2 × 62 (mm )
Weight:	129g
Operating Temperature Range:	-10°C to 55°C
Nominal Supply Voltage:	24VDC
Operating Voltage Range:	19-30VDC
Max Operating Current:	30mA@24VDC
Flash Frequency:	1.0Hz

# Installation Diagram



**Surface mount**



**Strobe with universal mounting plate**

## Ordering Information

Model	Product Description	UOM
S900RL	SpectrAlert Strobe in red color	EA
S900RLFIRE	SpectrAlert Strobe in red color, with white "FIRE" lettering	EA
BBS	Back Box Skirt (Red)	EA



System Sensor Headquarters  
3825 Ohio Avenue  
St. Charles, IL 60174  
Ph: 630-377-6580  
Ph: 630-377-6495  
Free Phone: 800-736-7672  
Web: www.systemsensor.com

System Sensor China  
28 Tuan Jie South Road,  
Hi-Tech Development Zone  
Xi'an, 710075, China  
Ph: +86 29 85387800  
Ph: +86 29 88895930  
Web: www.systemsensor.com.cn

System Sensor Canada  
Ph: 905-812-0767  
Ph: 905-812-0771

System Sensor Europe  
Ph: 44 (0) 1527 406700  
Ph: 44 (0) 1527 406699

System Sensor Italy  
Ph: 39 040 949 0111  
Ph: 39 040 382 137

System Sensor Mexico  
Ph: 54 11 4324-1909  
Ph: 54 11 4324-5999

System Sensor Far East Ltd  
Ph: 852 21919003  
Ph: 852 27366580

System Sensor Singapore  
Ph: 65 6273 2230

System Sensor India  
Ph: 91 124 2371770-270  
Ph: 91 124 2373118

System Sensor Australia  
Ph: 61-3-5428 1142  
Ph: 61-3-5428 1172