

# PERTRONIC INDUSTRIES LTD

## PSSB B401 100V SPEAKER INSTALLATION NOTE



### Overview

The **PSSB B401** is a 100V line (1.1W max) speaker and line transformer mounted in an aesthetically pleasing acoustic enclosure. The enclosure is designed to support a System Sensor B401 Conventional base and detector.

When used in conjunction with the Pertronic 20W and 50W 100V line amplifiers, it provides a cost effective solution for speaker-based building evacuation systems that must comply with the NZS4512: 2003 and AS2220 standards.

The **PSSB B401** has Links for selecting the 0.2W, the 0.7W, or the 1.1W power output. At 1.1W and with Pertronic's 100V amplifiers, the **PSSB B401** can reproduce the evacuation tone at a sound pressure level of 97dBA.

### Operation

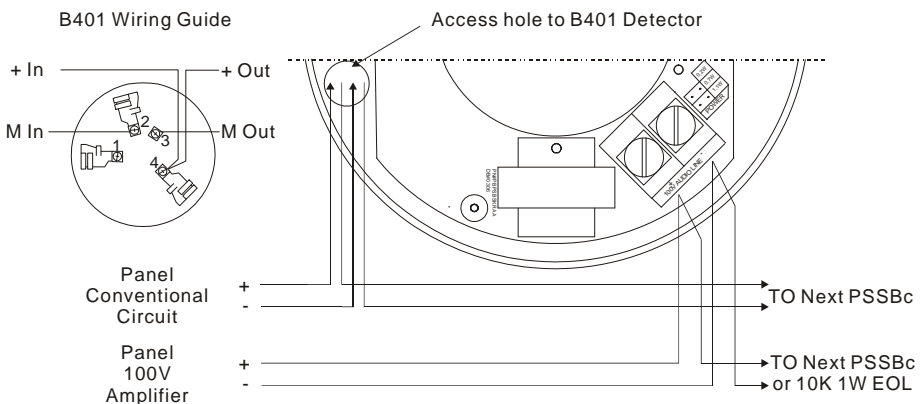
The panel circuit output and amplifier line output are connected to the **PSSB B401** as shown below. Terminals are provided for the 100V line connections, and an access hole is provided for connecting the circuit wiring through to the B401 base.

The amplifiers' line terminals '+' and '-' are connected to the corresponding **PSSB B401** Line '+' and '-' terminals.

If the amplifier is not active, the 100V line is monitored by the application of a negative dc voltage to the **PSSB B401** Line '+' terminal. The **PSSB B401** speaker consumes no power in monitor mode. A 10K 1W monitor resistor is placed at the last **PSSB B401**.

When the Amplifier is active, the monitoring dc is removed from the line output, and the 100Vrms signal is applied, causing the **PSSB B401** to operate.

### Connection Diagram



## Specification

Dimensions:	117mm (height) x 74mm (width), 12mm (depth above flush-box) Designed to fit into a standard flush-box fitting.			
Colour Options:	White.			
Sound Level Output:	Sound pressure level (peak $\pm$ 3dB)			
	Power tap Selected:	0.2W	0.7W	1.1W
	Evacuum:	75dBA	96dBA	97dBA
	Alert:	65dBA	83dBA	85dBA
Frequency Response:	400Hz – 10Khz			
Input Capacitor:	2.2uF 100V RMS Bi Polar Electrolytic			
Maximum Line Voltage:	100Vrms			

## PSSB B401 Drilling Template

