



# F100A LCD Mimic

## Head Office

### Wellington

PO Box 35-063  
Naenae  
17 Eastern Hutt Rd  
Wingate  
Lower Hutt  
Tel (04) 567-3229  
Fax (04) 567-3644

www.pertronic.co.nz

sales@pertronic.co.nz  
tech@pertronic.co.nz

### Auckland Office

PO Box 15-867  
New Lynn 0640  
359 Onehunga Mall  
Onehunga  
Auckland  
Tel (09) 633-0226  
Fax (09) 633-0228



ISO 9001: 2000

International Standards  
Certifications  
QAC/R61/0051

## Product Overview:

The **Pertronic F100A LCD Mimic** allows remote display of messages from a **F100A** panel.

The **Pertronic F100A LCD Mimic** can perform all the keyboard-display functions of the **F100A** panel.

Up to 8 addressable **F100A LCD Mimics** may be connected to a **F100A** panel and operate in 'Full Duplex' mode.

More **F100A LCD Mimics** may be connected in 'Slave Mode' - system messages are displayed but no command interaction is available, except for silencing the in-built buzzer.



## Features:

- 2 line, 40 character, alpha-numeric LCD display
- Backlit LCD Display in 'Alarm' and 'Defect' Condition
- Three LEDs to indicate 'Fire', 'Defect' and 'Normal' status
- Local buzzer with extension buzzer output
- Low Power consumption

## Front Panel access:

- 'Evacuation' key-operated switch to operate the 'Sounder' (Bells) circuit
- 'Silence Alarms' key-operated switch to silence the 'Sounder' (Bells) circuit
- 'Buzzer Silence' switch silences all buzzers, both on the **F100A** panel and remote

## Door Open access:

- 'Silence Alarms' switch: cancels the sounder circuit
- 'Evacuate' switch: operates the 'Sounder' (Bells) circuit
- 'Previous' switch: used to navigate forwards through alarm queues and logs
- 'Next' switch: used to navigate backwards through alarm queues and logs
- 'ACK' switch: Alarm acknowledge facility
- 'Reset' switch: resets the panel and detectors after alarm activation
- 'Isolate' switch: used to isolate loop devices
- Full Menu controls plus Door Holder Isolate, Auxiliary Isolate and Walk Test.

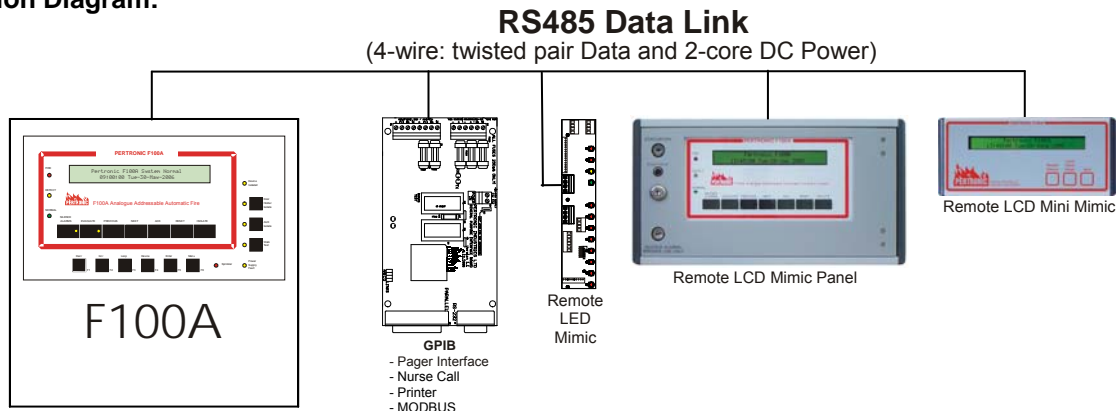
## Specifications:

<b>Dimensions:</b>	H x W x D mm	200 x 376 x 50	
<b>Power Supply:</b>	Quiescent:	6mA	- backlight and buzzer OFF
	Alarm:	50mA @ 27Vdc	- backlight and buzzer ON

**Mimic Communications:** RS-485 Serial Link

+	+24Vdc
-	0V
A	Data 'A' Leg
B	Data 'B' Leg

## Connection Diagram:



## Installation/Commissioning

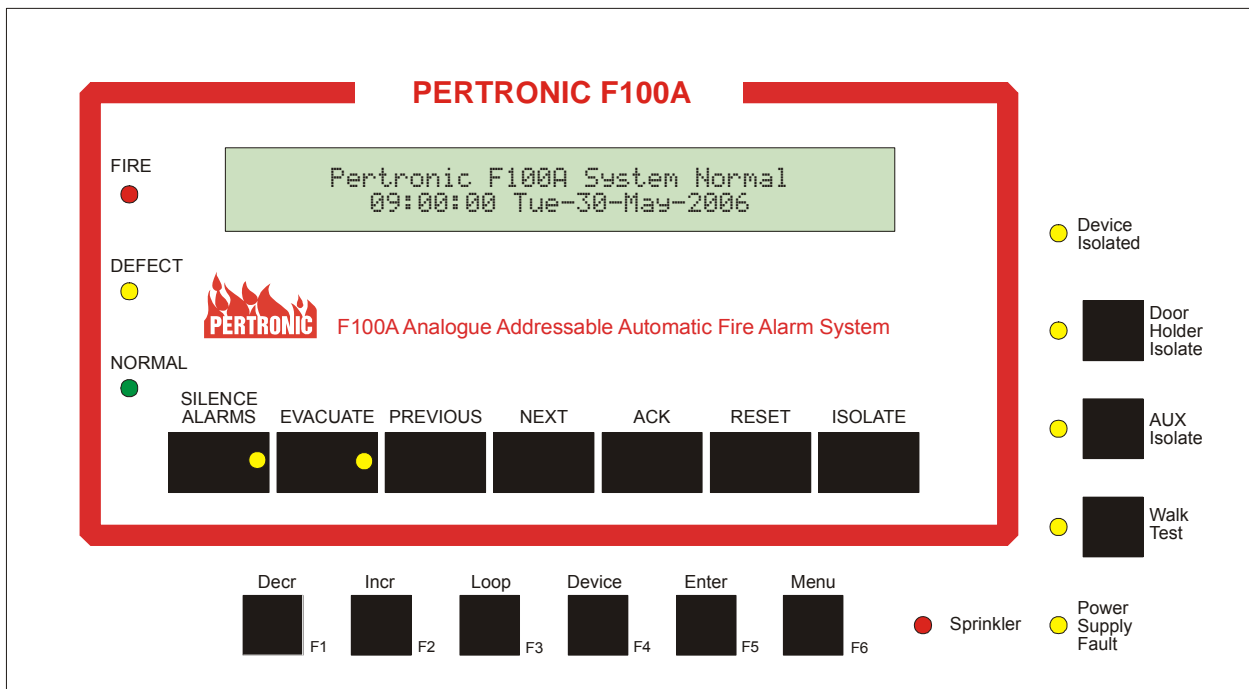
- Wire the SGD Cable from the Pertronic Analogue Addressable panel to the LCD Mimic connector K2.
  - the twisted pair provides the data feed to the A and B terminals of K2
  - the two conductors provide the DC power supply +/- of K2.
- Wire from K10 to the next Mimic device. Terminate the last device (LCD or LED Mimic) with a 470Ω resistor in the A and B terminals of K10 to provide End-of-Line termination.
- Set address links:
 

<b>Address</b>	<b>Function</b>
Address 0	reserved for the F100A Panel Main Display
Address 1 to 8	Polled LCD Mimics
Address 9	Slave LCD Mimics - Display only

  - provides for "missing device" notification

Note: a maximum 32 devices may be connected to the External RS485 port.

## Keyboard - Display Layout



## Product Codes:

Description	Code
F100A LCD Full Function Mimic NZS4512:2003	F100AM-3
F100A LCD Full Function Mimic NZS4512:1997	F100AM
F100A LCD Full Function Mimic Flush Mounting Escutcheon	F100AME
Mimic Cable Internal: 1 Pair @ 0.5mm <sup>2</sup> ; 2 Core @ 0.8mm <sup>2</sup> ; 250m Drum	SGDCI
SGD Cable External: Twisted Pair @ 0.5mm <sup>2</sup> ; 2 Core @ 1.13mm <sup>2</sup> ; 500m Drum	SGDCE
SGD Cable Internal - Fire Rated: 1 Pair @ 16/0.2mm <sup>2</sup> ; 2 Core @ 16/0.2mm <sup>2</sup> ; 100m Drum	SGDCIFR

## PERTRONIC INDUSTRIES LTD

### Head Office:

17 Eastern Hutt Rd, Wingate, Lower Hutt  
Tel (04) 567-3229 Fax (04) 567-3644

www.pertronic.co.nz  
sales@pertronic.co.nz  
tech@pertronic.co.nz

### Auckland Office:

359 Onehunga Mall, Onehunga, Auckland  
Tel (09) 633-0226 Fax (09) 633-0228

'Pertronic' and 'Firetronix' are registered trademarks of Pertronic Industries Ltd