

PERTRONIC INDUSTRIES LTD

DATASHEET

RS-485 LED Display Unit (F100PDB12, F100PDB)



Overview

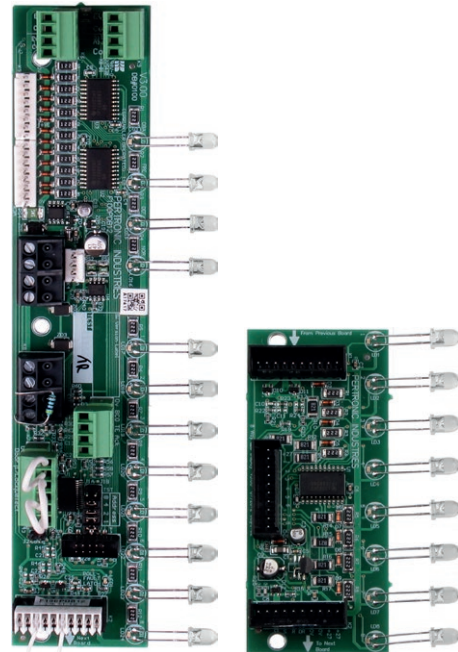
The RS485 LED Display Units (F100PDB & F100PDB12) are repeater / mimic displays that connect to the RS-485 Mimic Bus of the following Pertronic products:

- » F220 fire alarm control panel
- » F100A fire alarm control panel
- » F16e fire alarm control panel
- » F4-RMAX
- » F100 Network Card (NETCARD)

The 12-way LED display board (F100PDB12) has eight LED zone indicators and four global indicators; Sprinkler, Fire, Defect and Normal.

The F100PDB12 provides an ancillary peripheral bus. Eight-way display boards (F100PDB) may be daisy-chained to the ancillary peripheral bus, expanding the number of LEDs up to the fire alarm control panel's maximum capacity. (Please refer to the relevant fire alarm control panel datasheet for details)

The LED display boards may be installed within a fire panel for local indication. A range of external mimic cabinets are available for remote indication. Refer to slimline LED mimics & cabinets and slim LCD & LED combination mimics datasheets.



F100PDB12

F100PDB

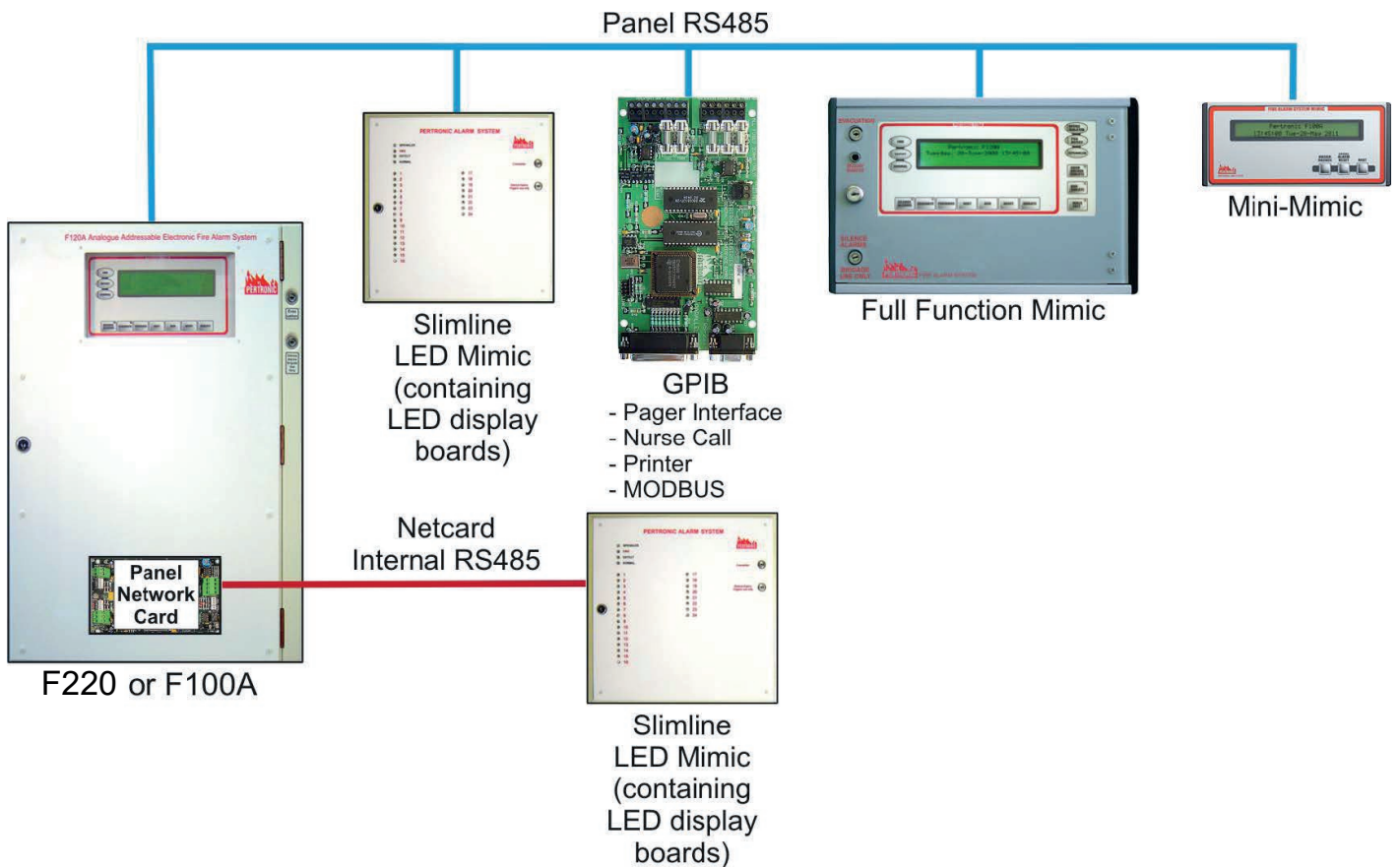
Features

- » Robust microprocessor based SMD design
- » RS485 LED Mimic Address set by jumpers
- » Onboard fault diagnostic LED indicator
- » Six onboard system function inputs (12-way LED only)
- » Four onboard system function outputs (12-way LED only)
- » LED pulldowns:
 - » F100PDB12: 12 x LED pull downs
 - » F100PDB: 8 x LED pull downs
- » Supervised by the fire panel
- » Also compatible with F16 and F120A

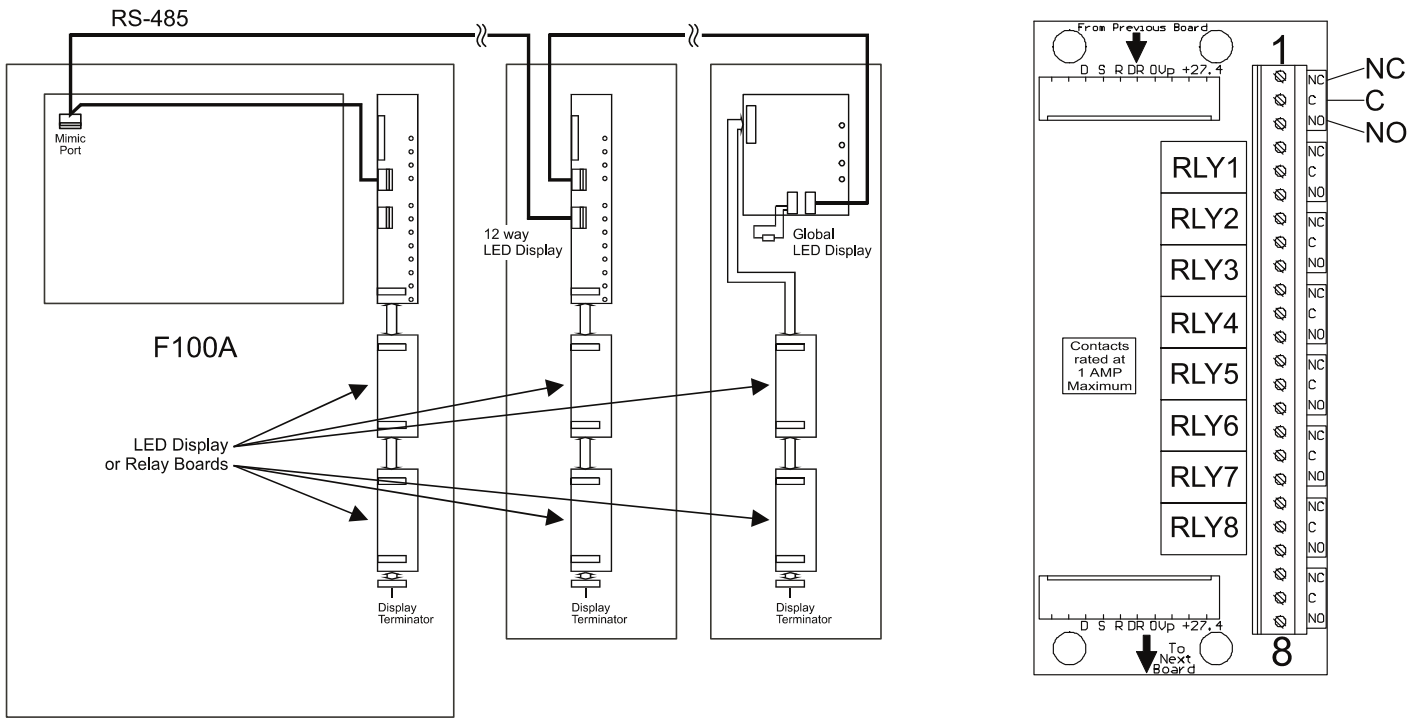
Specification

F100PDB12	Operating Voltage	10 to 30 Vdc
	Quiescent Current	12.6 mA @24 Vdc
	LED Current	11 mA @ 24 Vdc
	Dimensions	197 x 40 (H x W mm)
	Weight	5 g
F100PDB	Operating Voltage	10 to 30 Vdc
	Quiescent Current	1.3 mA @ 24 Vdc
	LED Current	11 mA @ 24 Vdc
	Dimensions	98 x 40 (H x W mm)
	Weight	5 g
Operating Temperature		0 to +40 °C
Humidity		10 to 90% RH (non-condensing)

Connection Diagram



F100ZDRLY Connection Diagram



Ordering Information & Notes

Product Code	Description
F100PDB12	12 Way Smart LED Display Bd for F100, F120. F16E, F4-RMAX
F100PDB	8 Way LED Display Ext Board for F100, F120, F16E

The information in this document must not be treated as partial or complete instructions for the design, construction, installation, commissioning, or maintenance of fire detection, fire alarm, or building evacuation systems. Fire and evacuation systems must be designed and installed by properly qualified persons, in accordance with all regulatory requirements.

Unless explicitly stated otherwise, this document provides typical specifications and nominal dimensions. Actual product performance and dimensions may vary.

All information in this document is subject to change. Please consult Pertronic Industries or visit our web site for up to date information. PERTRONIC® is a registered trademark of Pertronic Industries Limited.