

PERTRONIC INDUSTRIES

INSTALLATION DATASHEET Pertronic Remote LED Indicator DETREM



Overview

The Remote LED Indicator (DETREM) is a remote annunciator, for use with System Sensor conventional (Series 100 and 300) and analogue addressable (Series 200) detectors as well as Pertronic remote LED indicating heat detectors.

Features

The Remote LED Indicator is connected to the remote annunciator output of the System Sensor detectors and the remote LED output of the Pertronic remote LED indicating heat detector.



Pertronic Remote LED Indicator (DETREM)

The remote LED indicator unit provides a common negative terminal with three 'positive' input terminals as follows:

Terminal 1	System Sensor Series 100 conventional detectors
Terminal 2	System Sensor Series 200 analogue addressable detectors
Terminal 3	System Sensor Series 300 conventional detectors and Pertronic remote LED indicating heat detectors

Notes:

1. There are special versions of the Pertronic V Series Indicating Heat Detector for use with the Remote LED Indicator. These detectors have a pair of output terminals for connecting the Remote LED Indicator.
2. The standard V Series Indicating Heat Detectors do not have these output terminals, and can not be used with the Remote LED Indicator (DETREM).

Specifications

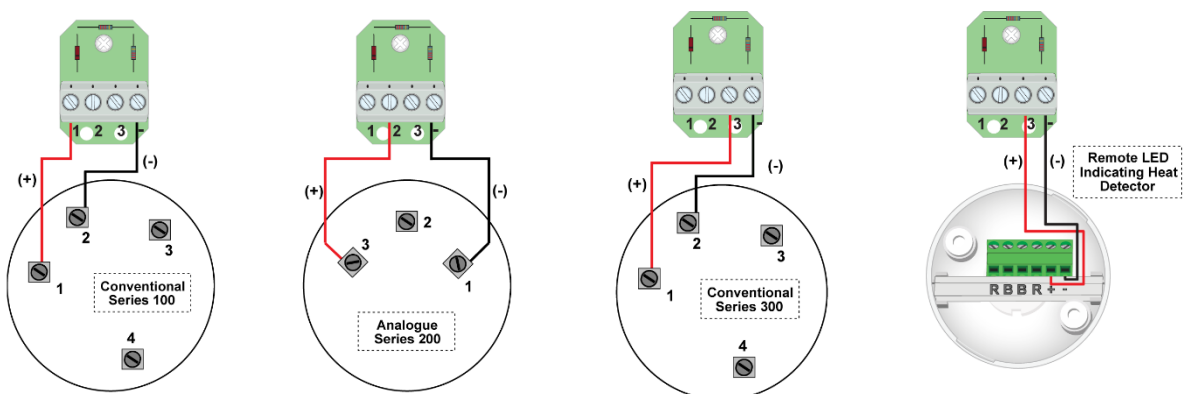
Operating Voltage	12 to 24 Vdc	Dimensions	65 x 5 mm (Dia. x H)
Alarm Current*	3 mA	Weight	10 g
Operating Temperature	0 °C to 80 °C	Material	Polycarbonate
Humidity	10 to 95 % RH (non-condensing)	Colour	White

* **Note:** Alarm current is specified with the DETREM connected as shown in this document.

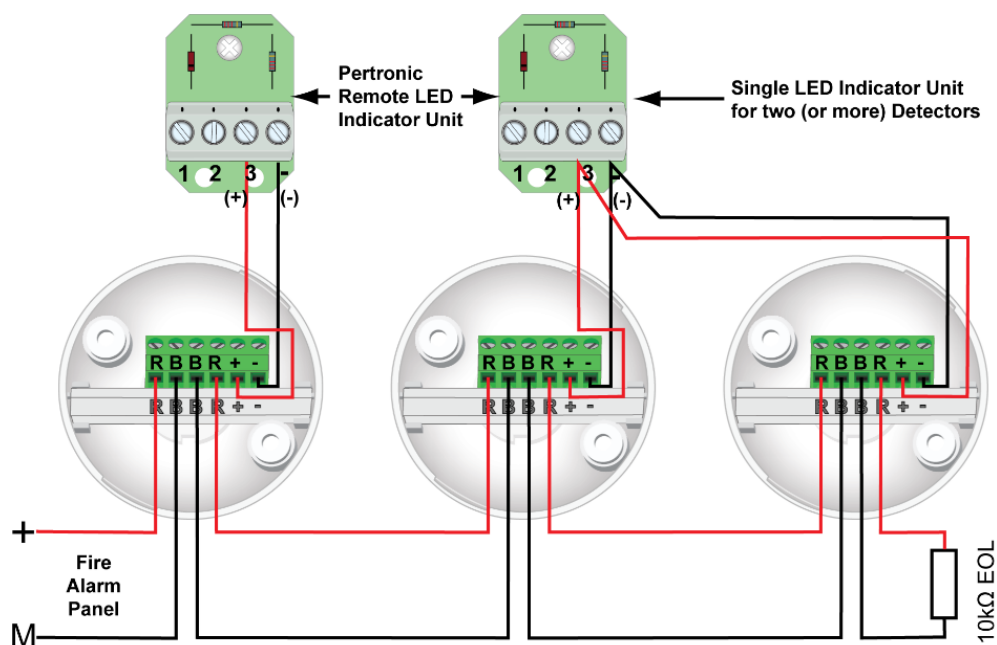
Operation

For Pertronic Remote LED Indicating Heat Detectors, the Remote LED Indicator latches ON when the thermo-mechanical sensor element activates.

Wiring Diagram



Remote Indicator Heat Detector Connection



Ordering Information

Product Code	Description
DETREM	Pertronic Remote LED Indicator