

### Product Description

Aspirating Smoke Detection (ASD) provides the assurance of active sampling and flow monitoring of a protected environment. Tamper-proof and flush-mount sampling points provide an inconspicuous sampling solution for a myriad of applications that require discrete sampling.

The Xtralis Tamper Proof Sampling Points (TPSP) provide an elegant addition to modern decor and can both minimize the risk of vandalism and tolerate abuse. They also provide serviceability for dirty and hazardous environments and areas prone to tampering.



### Tamper Proof Sampling Point Model 1 (Pipe)

#### VSP-610 Features

- Accommodates standard pipe
- Affixed by 4 screws to ceiling material
- Pipe Inlet: 25mm (1")
- Rigid / flexible conduit

### Tamper Proof Sampling Point Model 2 (Capillary)

#### VSP-620 Features

- Gland fitting to micro-bore (capillary) tubing
- Input: available in three versions to suit 6 mm, 8 mm, and 10 mm (OD) flexible micro-bore (capillary) tubing

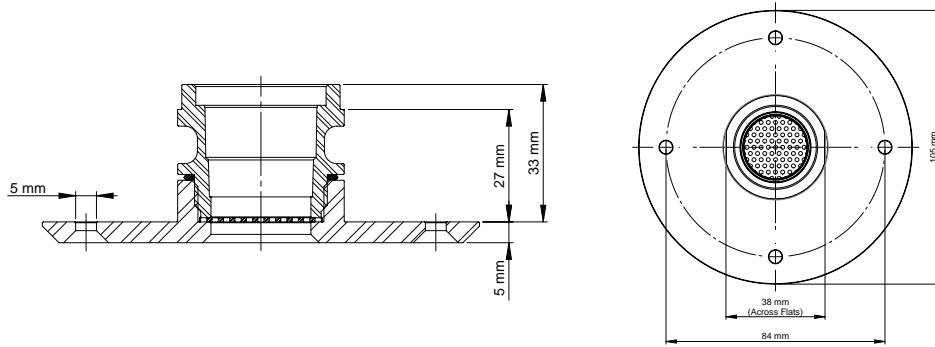
### Applications

- Luxury Accommodation
- Correctional Institutions
- Detention Centers
- Community Residential Centers
- Hospitals
- Manufacturing and Heavy Industry

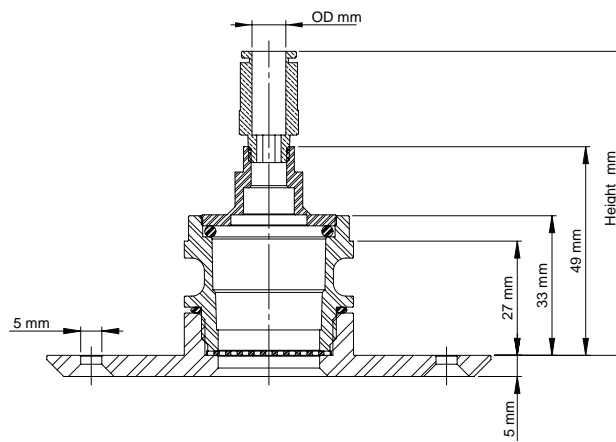
### Features

- Quality robust construction
- Hidden detection - concealed
- Tamper proof design
- Serviceable mesh inlet
- New and retrofit friendly
- Convenient testing and maintenance location via a centrally and remotely mounted detector
- Standard pipe and capillary tube interfaces
- Metric and imperial
- Stainless Steel Material (SUS304) which has great heat and corrosion resistance

Dimensions (VSP-610)



Dimensions (VSP-620)



Capillary	Outer Diameter of the Adaptor	Height *
VSP-620-01	6 mm	65 mm
VSP-620-02	8 mm	72 mm
VSP-620-03	10 mm	75 mm

\* Height measurement varies depending on how deep the inlet adaptor has been screwed into the assembly.

Ordering Information

Ordering Code	Description
VSP-610	TPSP Metric Pipe
VSP-610-US	TPSP Imperial Pipe
VSP-620-01	TPSP 6 mm Capillary
VSP-620-02	TPSP 8 mm Capillary
VSP-620-03	TPSP 10 mm Capillary
VSP-870*	In-line Flow Restrictor
VSP-870-US**	In-line Flow Restrictor - US
VSP-871***	Spare Flow Restrictors (Pack of 10)

\* VSP-870 is compatible with VSP-610.

\*\* VSP-870-US is compatible with VSP-610-US.

\*\*\* VSP-871 is compatible with VSP-610 and VSP-610-US.