

OSID Beam Interface - Installation Note

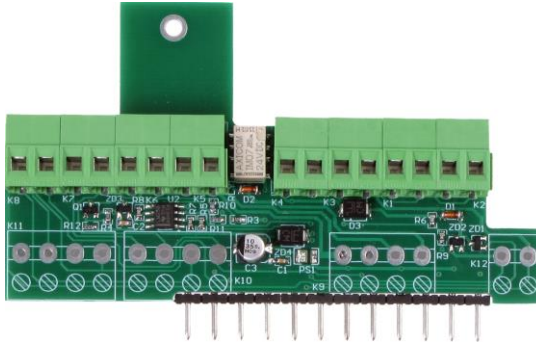
Overview:

The **OSID Conventional Beam Interface (OSID Interface) board** provides an interface between the Xtralis OSID Conventional Beam Detector (OSID Detector) and a **Pertronic Loop Responder, F16e** or **F4** conventional panel.

This supplementary board connects directly to connectors inside the OSID Detector.

The **OSID Interface** operates from 24VDC, sourced from either the Panel supply or from an independent power supply – this may be non-isolated for OSIDs on a single circuit or isolated for OSIDs on different circuits.

The **OSID Interface** complies with NZS4512:2010.



Features:

- Fits inside the OSID Detector.
- 4-wire connection: conventional zone circuit and power supply.
- Connects to 20V conventional zone circuit.
- Powered from isolated or non-isolated 24VDC power supply – refer NOTES: a)
 - F16e or local Loop Responder - powered from panel or isolated supply
 - F4 or remote Loop responder - powered from independent, isolated power supply
- Uses 'Smoke' and 'Defect' regions for 'Off-Normal' indication.
- The OSID Detector automatically resets with the conventional zone circuit.
- Provides Form C 'Defect' contacts: N/C, COM N/O for external signaling.

Specification:

Dimensions:	102 x 55	L x W (mm)
Supply Voltage:	20 to 30VDC	
Supply Current:	Normal/Alarm:	30mA
	Defect:	8mA
Relay Contact Rating:	2A @ 24VDC	
Maximum OSIDs per zone	6	

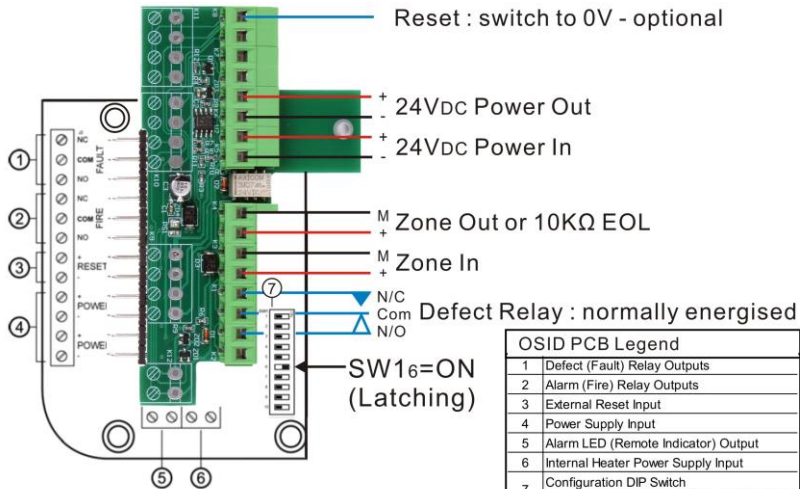
Product Codes:

Product Code	Description
OSIDCI	OSID Conventional Beam Interface

Technical Support:

Phone: (04) 567-3229, Ext 2
 email: tech@pertronic.co.nz

Connection Diagram:



Installation and Commissioning:

Before Installation:

- Verify the OSID Conventional Beam Interface is available, not the similar 6500RS Conventional Beam Interface.
- Identify the Power Supply and Zone cables, but ensure they are not connected at this time.
- Do not fit the OSID Interface board inside the OSID Detector at this time.

Wiring:

- Feed the cabling inside the OSID Detector.
- Connect the Power Supply cables to the OSID Interface Board 24Vdc POWER IN observing correct polarity (and 24Vdc POWER OUT, if required).
- Connect the Zone cabling to 'Zone IN +20V' and 'Zone IN M', observing correct polarity.
- Connect additional Zone wiring to the next device or ensure a 10KΩ EOL Resistor is connected between 'Zone OUT +20V' and 'Zone OUT M' of the final device.

Fit the OSID Interface board into the OSID Detector:

- Mount the OSID Interface Board to the OSID Detector PCB, inserting the pins into the 12 OSID connectors and then firmly fasten all connector screws.

Connection to the Conventional Circuit:

- Connect the Zone wiring to the conventional circuit, observing correct polarity – do not power the OSID Detector ON.

Set up

- Power OSID Detector ON, then set up the OSID Detector per manufacturer's instructions.

Commissioning:

- When the OSID Detector is ready, verify the conventional zone responds to:
 - o Normal OSID Detector / Zone both Normal
 - o Alarm OSID Detector / Zone in Alarm
 - o Defect remove power from OSID Detector
- OSID Detector Alarms are Reset by the conventional zone - or if available, using an External Reset, or by depowering the detector as described in the OSID Product Guide.

NOTES: a) if OSIDs are connected to more than one circuit, the OSID(s) on one circuit may be powered from the Panel's power supply, but OSIDs on each subsequent circuit MUST be supplied from an isolated power supply or a DC:DC Converter sourced from the panel supply. Each circuit with an OSID connected requires an independent power supply

b) OSID and BEAM 6500RS should be connected on different circuits