

## Installation Instructions for WB-1AP(-IV) Sensor Base Enclosure for Humid Environments

For use with Base Models: B501AP, B501, B401, B401R,  
B401SD, B401RSD, and ECO1000DB, ECO1000DBR

### General Description

For environments where excessive humidity can cause nuisance alarms, System Sensor has developed the WB-1AP(-IV) plastic enclosure kit that minimizes the effect of condensation on the sensor. The enclosure is designed to accommodate 18.6mm conduit.

### Dimensions

Diameter: 110 mm  
Height: 69 mm  
Weight: 200g

Two mounting options are available:

**Surface mounting:** Side tabs are provided so the enclosure can be fixed directly to the ceiling surface. 4 knock-outs are available in the sides of the WB-1AP for conduit connection.

**Pendant mounting:** For wiring that comes through the ceiling, a knock-out is available in the centre of the top. Use the side tabs to fix the enclosure to the ceiling surface.

### WARNING

Do not use the anti-tamper option in the base when mounting into the WB-1AP. If this option is used there is no way to remove the sensor head from the base.

### Instructions for Surface Mounting

Surface mounting of the WB-1AP is shown in Figure 1.

1. Select the knock-out required for conduit connection and open using a suitable tool.
2. Mount enclosure to surface with appropriate screws through mounting tabs on sides.
3. Install wiring and conduit connector(s) through side hole(s).
4. Connect wiring to the sensor base using the instructions supplied with the base.
5. Mount the sensor base in the enclosure using the 2 screws supplied with the WB-1AP.
6. Install the sensor head as per the installation instructions supplied with the device.

### Instructions for Pendant Mounting

Pendant mounting of the WB-1AP is shown in Figure 2.

1. Using a suitable tool, open the knock-out in the centre of the top.
2. Feed the wiring through the hole and mount enclosure to surface with appropriate screws through mounting tabs on sides.
3. Connect wiring to the sensor base using the instructions supplied with the base.
4. Mount the sensor base in the enclosure using the 2 screws supplied with the WB-1AP.
5. Install the sensor head as per the installation instructions supplied with the device.

Figure 1. Surface mounting:

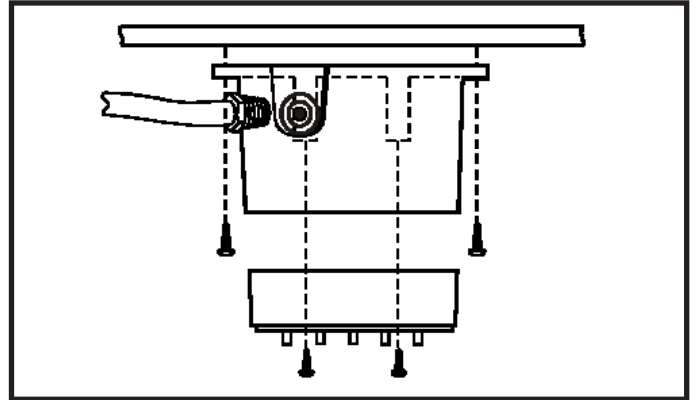


Figure 2. Pendant mounting:

