

# PERTRONIC INDUSTRIES LTD

## DATASHEET

### F100A LCD Mimic (F100AM-3)

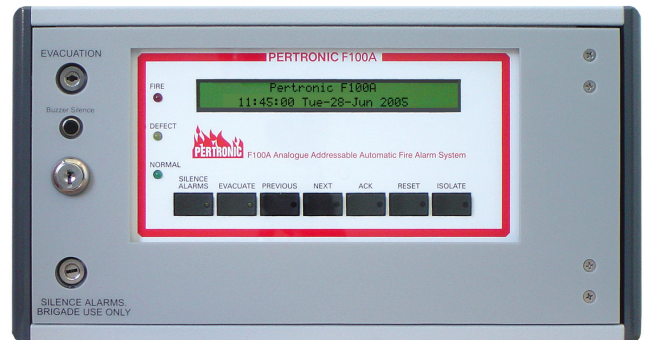


## Overview

The Pertronic F100A LCD Mimic (F100AM-3) allows remote display of messages from a F100A panel. All of the F100A keyboard-display functions can be performed by the mimic.

Up to 8 addressable mimics may be connected to a F100A panel and operate in 'full duplex' mode. Additional mimics may be connected in 'slave mode'.

In 'slave mode', system messages are displayed but no command interaction is available, except for silencing the in-built buzzer.



*Pertronic F100A LCD Mimic*

## Features

- » 2 line, 40 character, alpha-numeric LCD display
- » Backlit LCD Display in 'Alarm' and 'Defect' Condition
- » Three LEDs to indicate 'Fire', 'Defect' and 'Normal' status
- » Local buzzer with extension buzzer output
- » Low Power consumption

## Front Panel Access:

- » 'Evacuation' key-operated switch to operate the 'Sounder' (bells) circuit
- » 'Silence Alarms' key-operated switch to silence the 'Sounder' (bells) circuit
- » 'Buzzer Silence' switch silences all buzzers, both on the F100A panel and remote

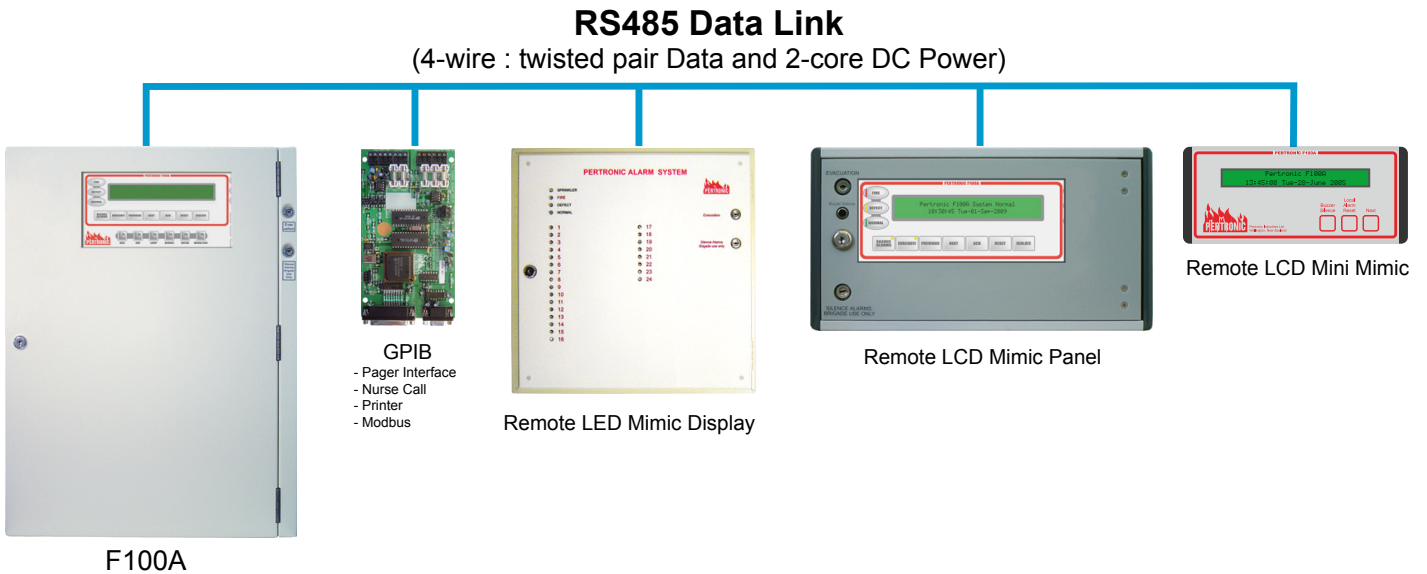
## Door Open Access:

- » 'Silence Alarms' switch cancels the sounder circuit
- » 'Evacuate' switch operates the 'Sounder' (bells) circuit
- » 'Previous' switch used to navigate forwards through alarm queues and logs
- » 'Next' switch used to navigate backwards through alarm queues and logs
- » 'ACK' switch alarm acknowledge facility
- » 'Reset' switch resets the panel and detectors after alarm activation
- » 'Isolate' switch used to isolate loop devices
- » Full menu controls plus door holder isolate, auxiliary isolate and walk test

## Specification

<b>Operating Voltage</b>		27.4 Vdc from RS485 Bus
<b>Current</b>	<b>Quiescent</b>	6 mA @ 24 Vdc, back light and buzzer off
	<b>Alarm</b>	50 mA @ 27.4 Vdc, back light and buzzer on
<b>Operating Temperature</b>		0 to +30 °C
<b>Operating Environment</b>		10 to 95 % RH (non-condensing)
<b>Mimic Communications</b>	<b>+</b>	+24 Vdc
	<b>-</b>	0 V
	<b>A</b>	Data 'A' Leg
	<b>B</b>	Data 'B' Leg
<b>Dimensions</b>		200 x 50 x 376 (L x H x D mm)
<b>Weight</b>		3.65 kg

## Connection Diagram



## Installation and Commissioning

- » Wire the RS-485 Cable (SGD Cable) from the Pertronic Analogue Addressable panel to the LCD Mimic connector K2
  - » the twisted pair provides the data feed to the A and B terminals of K2
  - » the two conductors provide the DC power supply +/- of K2.
- » Wire from K10 to the next mimic device
- » Terminate the RS-485 data circuit with a 470  $\Omega$  resistor in the A and B output terminals on the last device (LCD or LED mimic)
- » Set address links:

Address	Function
Address 0	Reserved for the F100A panel main display
Address 1 to 8	Polled LCD Mimics
Address 9	Slave LCD Mimics - Display only

- » Provides for 'missing device' notification
- » Note: a maximum 32 devices may be connected to the External RS485 port

## Ordering Information & Notes

Product Code	Description
F100AM-3	F100A LCD Full Function Mimic
SGDCE	SGD Ext.Cable 0.5mm 1PR+1.13 2C Jell Filled (500m Drum)
SGDCI	Mimic Cable Internal 0.8mm/0.8mm (250m Drum)
SGDCIFR	SGD Cable Internal Fire Rated (50m Drum or 100m Drum)

The information in this document must not be treated as partial or complete instructions for the design, construction, installation, commissioning, or maintenance of fire detection, fire alarm, or building evacuation systems. Fire and evacuation systems must be designed and installed by properly qualified persons, in accordance with all regulatory requirements.

Unless explicitly stated otherwise, this document provides typical specifications and nominal dimensions. Actual product performance and dimensions may vary.

All information in this document is subject to change. Please consult Pertronic Industries or visit our web site for up to date information.

PERTRONIC® is a registered trademark of Pertronic Industries Limited.