

PERTRONIC INDUSTRIES LTD

DATASHEET

Relay Board (F100ZDRLY)



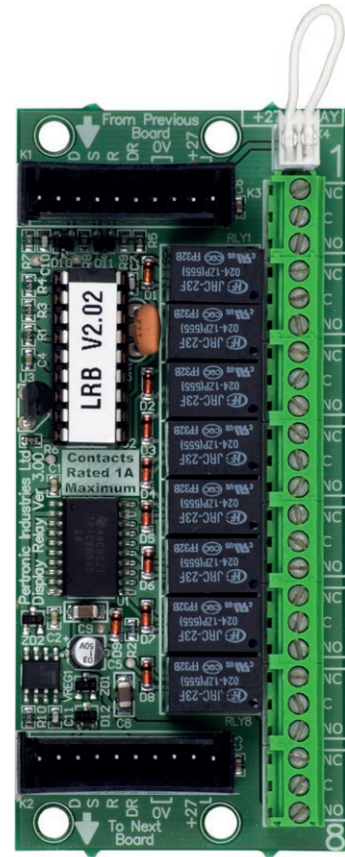
Overview

The Pertronic Relay Board (F100ZDRLY) connects to the ancillary peripheral bus of a Pertronic 12-way LED board, or a Pertronic RS-485 LED Address Controller.

The relay board provides 8 non-latching relays that correspond to LED position numbers in the display. There are up to 255 LED position numbers for F100A systems and to 512 for F120A systems. Multiple relay boards may be daisy-chained on the bus.

Each relay provides change-over contacts (no-c-nc), rated 1 A, 30 Vdc. The relay contacts are not supervised for wiring defects.

When the LED test function is operating, the active relay will remain steady and the relays will remain in their current state.

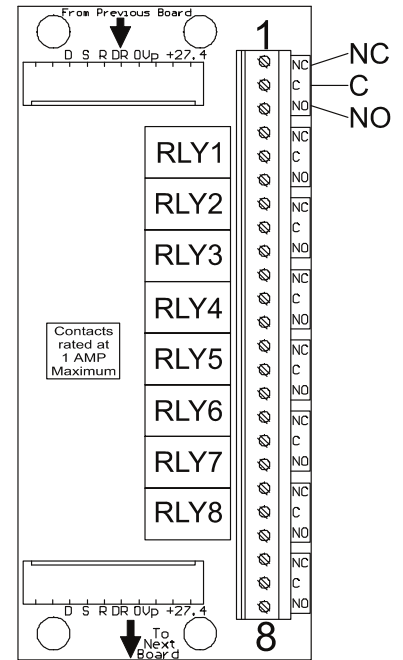
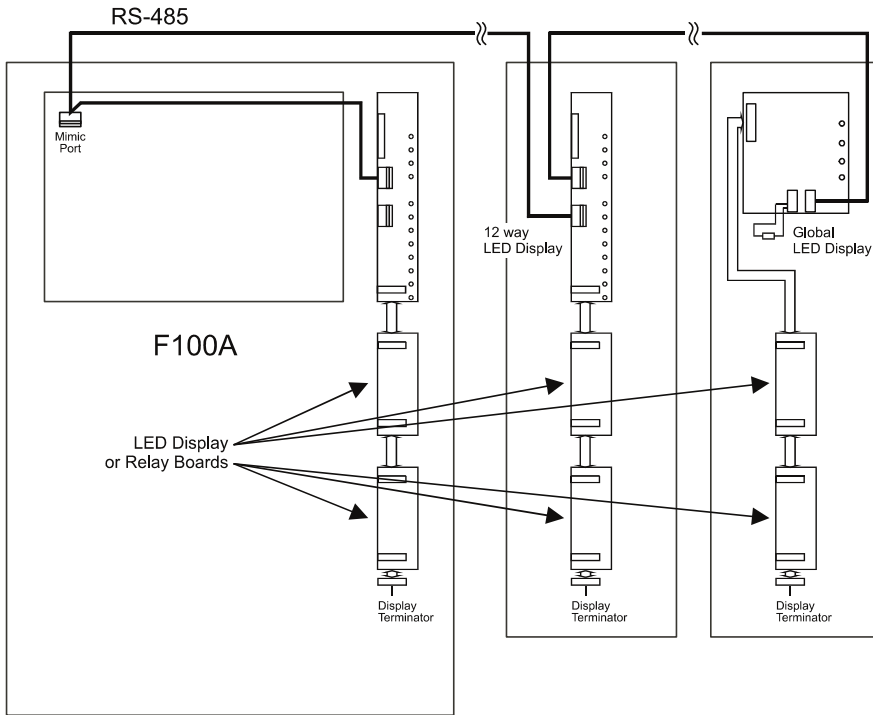


Pertronic Relay Board (F100ZDRLY)

Specification

| | | |
|------------------------------|----------------------------------|---|
| PCB Dimensions | | 96 x 38 (L x W mm) The 8-way LED display board has the same mounting footprint |
| Power Supply | | 24 Vdc nominal (19 to 28 Vdc) |
| Operating Current | No activation | 5 mA @ 5 V 1.2 mA @ 27 V |
| | Add for each active relay | 8.5 mA @ 27 V |
| Relay Characteristics | | 8 relays with screw terminals for change-over contacts (no-n-c) |
| Contact Rating | | 1 A @ 30 Vdc, resistive, Form C, clean contact |
| Operating Temperature | | 0 to +40 °C |
| Humidity | | 10 to 90% RH (non-condensing) |

Connection Diagram



Ordering Information & Notes

| Product Code | Description |
|--------------|---|
| F100ZDRLY | 8 Way Display Relay Extender Board 24V, SMD version |

The information in this document must not be treated as partial or complete instructions for the design, construction, installation, commissioning, or maintenance of fire detection, fire alarm, or building evacuation systems. Fire and evacuation systems must be designed and installed by properly qualified persons, in accordance with all regulatory requirements.

Unless explicitly stated otherwise, this document provides typical specifications and nominal dimensions. Actual product performance and dimensions may vary.

All information in this document is subject to change. Please consult Pertronic Industries or visit our web site for up to date information.

PERTRONIC® is a registered trademark of Pertronic Industries Limited.