

PERTRONIC INDUSTRIES LTD

DATASHEET

PSTIF 100V Line Strobe Interface



Overview

The Pertronic 100 Vrms Strobe Interface board allows System Sensor SpectrAlert strobes to be connected to Pertronic 100 Vrms Amplifier Audio Lines.

Operation:

When the Alert or Evacuation signal is transmitted on the amplifier's 100 Vrms Audio Line, the 100 Vrms Strobe Interface board will supply 24 Vdc (nominal) to the strobe units.

The strobes will function normally during the EVAC Tone, but may not during the Alter Tone as the pauses in this tone pattern may prevent the strobes being driven adequately. During the speech portion of the EVAC and ALERT tones, the strobe units will not flash.

The 100 Vrms strobe interface board can operate 1 or 2 System Sensor strobes (link selectable) at 24 Vdc.

MJ1 strobe selection Link:

- Link MJ1 is fitted for 2 strobes
- Link MJ1 is omitted for 1 strobe



PSTIF Strobe Interface

Maximum Loading	Number of Strobe Interfaces (Dual Strobes)	Number of Strobe Interfaces (Single Strobe)
Pertronic 50W, 24V Amp	8 (16 strobes, 40W max)	12 (36W max)
Pertronic 20W, 24V Amp	3 (6 strobes, 15W max)	6 (18W max)
Pertronic 20W, 12V Amp	2 (4 strobes, 10W max)	4 (12W max)

This table does not take any speaker loadings into account - strobes only.

Speakers may be included on the 100 Vrms line provided the power capacity of the amplifier is not exceeded.

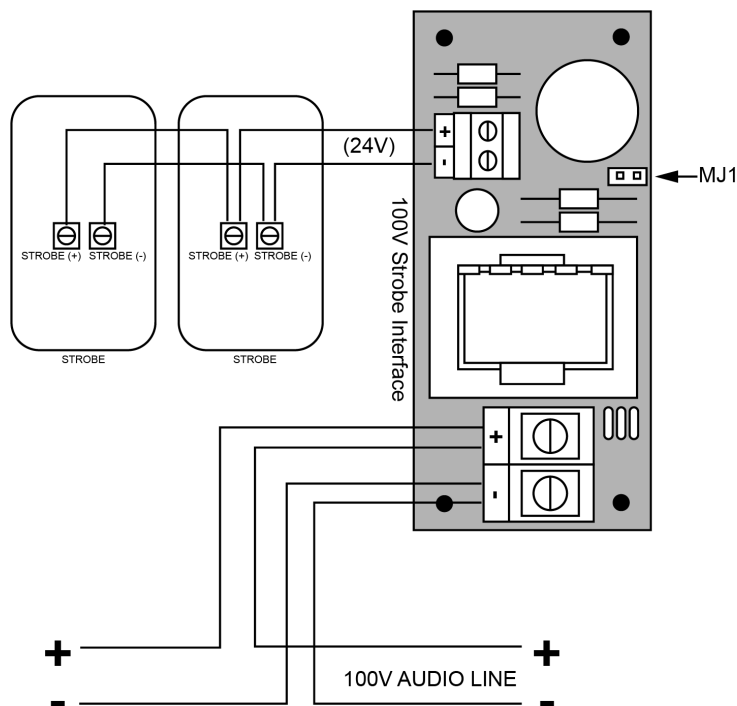
Important Note:

The output of the 100 Vrms strobe interface board is NOT monitored for defects as required by Section 208.1(f) of NZS 4512:2010 and NZS 4512:2003, so should not be used where a strobe is required to meet the requirements of the building consent issued by the territorial authority for the building.

Specification

Operating Voltage	100 V (100 V Audio Line)
Strobe Voltage	24 Vdc (nominal)
Power Consumption	5W: 2 x Strobes per Interface
	3W: 1 x Strobe per Interface
Operating Temperature	0 °C to +40 °C
Humidity	10 % to 95 % RH, non-condensing
Dimensions	PCB board: 100 x 50 x 55 (H x W x D mm)
	Enclosure: 128 x 128 x 78 mm
Weight	150 g
Material	ABS Plastic
Colour	White

Connection Diagram



Ordering Information

Product Code	Description
PSTIF	Pertronic 100V Line Strobe Interface
EVAC50W24V	EVAC Amplifier, 50W 24V
EVAC20W24V	EVAC Amplifier, 20W 24V
EVAC20W12V	EVAC Amplifier, 20W 12V

This information must not be treated as partial or complete instructions for the design, construction, installation, commissioning, or maintenance of fire detection, fire alarm, or building evacuation systems. Fire and evacuation systems must be designed and installed by properly qualified persons, in accordance with all regulatory requirements. Unless explicitly stated otherwise, this document provides typical specifications and nominal dimensions. Actual product performance and dimensions may vary. All information in this document is subject to change. Please consult Pertronic Industries or visit our web site for up to date information. PERTRONIC® is a registered trademark of Pertronic Industries Limited.

