

PERTRONIC INDUSTRIES LTD

DATASHEET

Dual Alert-Evacuate Strobe Unit (DUALSTROBE)



Overview

The Dual Alert-Evac Strobe Unit (DUALSTROBE) provides selective high-visibility indication for 24 Vdc emergency evacuation systems.

This unit is recommended for factories, rest homes, hospitals, and supplementary indication for suppression systems. It should be used in conjunction with audible evacuation systems.

Both Alert (Amber) and Evacuate (Red) strobe outputs are provided.

The unit is factory-configured for two-wire connection. In two-wire mode, only one strobe can be driven at a time based on the polarity of dc voltage. Optional three or four-wire modes enable either or both strobes to be driven at any one time.

At only 50 mA average current draw per strobe, and a flash rate of 1.1 Hz, the unit is very energy efficient.

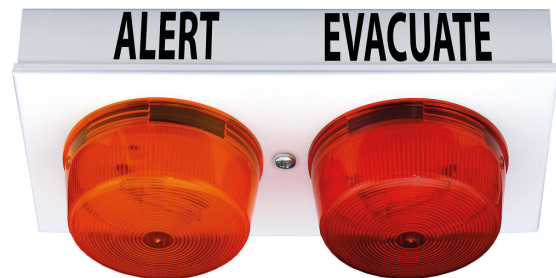
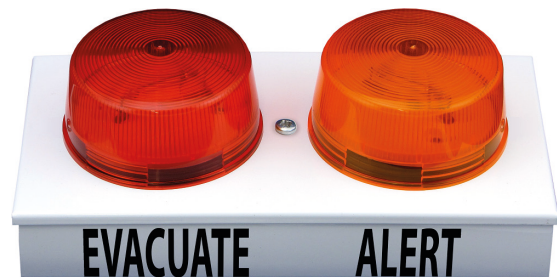
The two-part case makes the fitting, connection and servicing simple. The case may be wall or ceiling mounted.

The dual strobe is supplied complete with EVACUATE and ALERT labels. The label may be fitted on to the strobe, oriented to suit the mounting position.

Note:

2-Wire, 3-Wire and 4-Wire operation for use with suppression systems.

Only 4-Wire operation for use with fire alarm panels.



Pertronic DUALSTROBE, showing typical label orientations

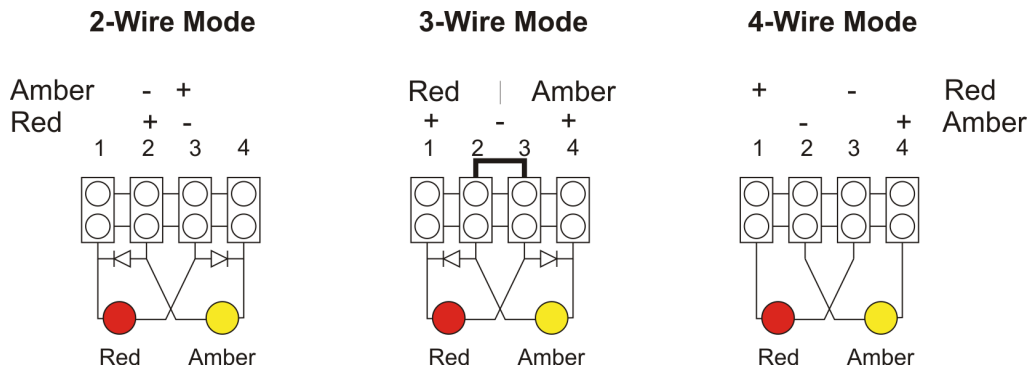
Features

- » Supplied complete with EVACUATE and ALERT labels
- » Easy two part installation with quick access for maintenance
- » Ceiling or wall mounting
- » Ultra high visibility xenon strobe indication (1 x Amber, 1 x Red)
- » 20 Vdc to 30 Vdc operation
- » Energy Efficient: 50 mA per strobe, flash rate of 1.1 Hz
- » Suitable for Indoor or protected outdoor use
- » Single screw housing attachment

Specification

Operating Voltage		20 to 30 Vdc
Supervisory Voltage	2-Wire / 3-Wire Mode	≤ 0.5 Vdc
	4-Wire Mode	≤ 30 Vdc
Current	Quiescent	0.2 µA in standby
	Alarm	50 mA per strobe @ 24 Vdc average
Operating Temperature		-10 to +49 °C
Operating Environment		≤ 95 % RH (non-condensing)
Dimensions		190 x 97 x 67.5 (W x H x D mm)
Weight		464 g
Material		0.9 mm Steel, Powder Coated
Mounting		Keyhole type at 150 mm separation (7.5 mm dia. screw head max)
Cabling		4 x 20 mm diameter knockouts (top, sides and rear)
Wiring		4-way removable terminal block with strain relief
Case Colour		White
Strobe Colours		Red and Amber
Flash Rate		1.1 Hz @ 24 Vdc
Operating Mode		2-Wire, 3-Wire or 4-Wire

Internal Connection Options



Note:

- Only 4-Wire Mode is supervised on Pertronic panels (two Bell Circuits).
- 2 and 3-Wire Mode require a special supervisory circuit similar to strobe outputs on EWIS panels

Ordering Information & Notes

Product Code	Description
DUALSTROBE	Dual Strobe Unit Amber/Red Lenses

The information in this document must not be treated as partial or complete instructions for the design, construction, installation, commissioning, or maintenance of fire detection, fire alarm, or building evacuation systems. Fire and evacuation systems must be designed and installed by properly qualified persons, in accordance with all regulatory requirements.

Unless explicitly stated otherwise, this document provides typical specifications and nominal dimensions. Actual product performance and dimensions may vary.

All information in this document is subject to change. Please consult Pertronic Industries or visit our web site for up to date information.

PERTRONIC® is a registered trademark of Pertronic Industries Limited.