

# PERTRONIC INDUSTRIES LTD

## DATASHEET

### 3 Watt Horn Speaker (PSSHORN)



## Overview

The Pertronic 3 Watt Horn Speaker (PSSHORN) is a high-efficiency 100 Volt line speaker designed for emergency warning systems. It is approximately ten decibels louder than a cone-type speaker with the same input power.

Selectable power taps facilitate sound level adjustment to meet project requirements such as area coverage and ambient noise level. The adjustable mounting bracket makes it easy to position the horn speaker for optimal sound dispersion.

To ensure standards compliance, the horn speaker is wired for Loop In / Loop Out connection. The horn speaker also incorporates a 100 Vrms line transformer and a series blocking capacitor.

Recommended for indoor applications such as lobbies, corridors, shopping centres, passenger terminals, offices, schools, hospitals, factories and plant rooms.



*Pertronic 3 Watt Horn Speaker (PSSHORN)*

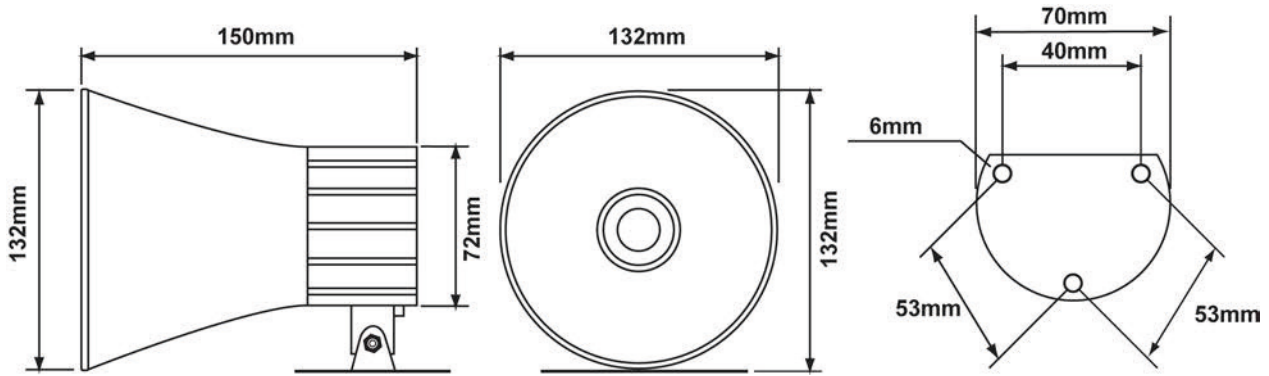
## Features

- » Built-in 100 Vrms line transformer
- » Power taps of 1 W and 3 W @ 100 V
- » 22  $\mu$ F bipolar blocking capacitor
- » ABS enclosure with metal mounting bracket
- » Low impedance horn speaker

## Specification

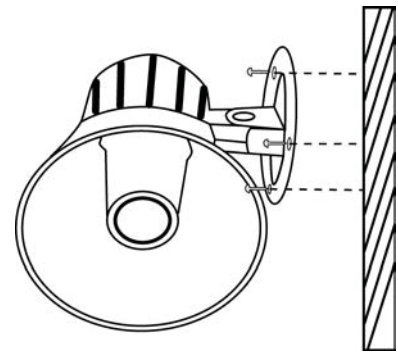
<b>Power Taps</b>	1 W & 3 W @ 100 V
<b>Sensitivity</b>	102 dB $\pm$ 3 dB (1 W @ 1 m)
<b>Impedance</b>	1 W 10 k $\Omega$ 3 W 3.3 k $\Omega$
<b>Frequency Response</b>	250 Hz – 18 kHz
<b>Dimensions</b>	150 x 132 mm (Length x Diameter mm)
<b>Weight</b>	500 g
<b>Material</b>	ABS Plastic
<b>Colour</b>	White

## Dimensions

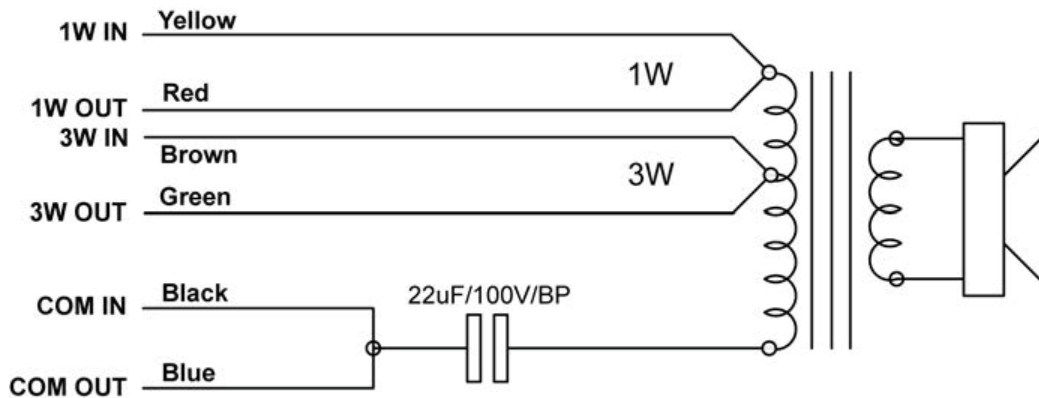


## Installation

1. Decide on suitable location for mounting of PSSHORN to wall.
2. Mark then drill three holes on metal bracket to mount horn to wall as shown in diagram on right.
3. Mount horn to location using three mounting screws appropriate to the wall construction.
4. Connect to appropriate power tap wire as required and ensure in and out wires are used.



## Connection



## Ordering Information & Notes

Product Code	Description
PSSHORN	Horn Speaker+Line TX 1W/3W @ 100V

The information in this document must not be treated as partial or complete instructions for the design, construction, installation, commissioning, or maintenance of fire detection, fire alarm, or building evacuation systems. Fire and evacuation systems must be designed and installed by properly qualified persons, in accordance with all regulatory requirements.

Unless explicitly stated otherwise, this document provides typical specifications and nominal dimensions. Actual product performance and dimensions may vary.

All information in this document is subject to change. Please consult Pertronic Industries or visit our web site for up to date information.

PERTRONIC® is a registered trademark of Pertronic Industries Limited.