

FAAST LT-200

Stand Alone Model

Overview

Features

- High sensitivity LED Detection Chamber specially designed to cover Class C. Includes a high power output IR LED and high gain IR receiver amplifier
- Single & Dual channel versions with independent channels including fan, sensor and flow monitoring
- Provides pre-alarm functionality for graduated alarm thresholds
- Ultrasonic airflow sensing with expanded monitoring range
- A single device covers up to 2,000m2 according to national design regulations
- Pipe-IQ™ software provides intuitive system layout and configuration all in one package
- Whisper-quiet 26db(A) fan; ideal for discrete detection monitoring
- Multiple event logging up to 2244 events
- User friendly air flow pendulum graph for verification of pipe network functionality
- Easily replaceable and reusable filter without affecting the rest of the device
- Protected electronics from air flow and accidental damage during installation or maintenance
- Designed for efficient wiring and installation: cable gland holes, easy access to the wiring area and no special tools required
- Easy access to parts requiring routine maintenance: filter(s) and sensor(s)
- IP65 enclosure



199ad-(cl-1)-02



G214079

2831-CPR F1050
2831-CPR F1051
2831-CPR F1052

SYSTÈME DE SÉCURITÉ INCENDIE (SSI)

www.marque-nf.com

MPL 060 A2

MPL 061 A2

MPL 062 A2



B.00167/19

Description

The FAAST LT-200 Aspirating Smoke Detector is designed with the installer and end user in mind. It serves the wide variety of Class C applications where maintenance is difficult, where traditional smoke detection methods are inappropriate or prone to fail due to harsh environments or areas where aesthetics matter. It is also suitable for smaller mission critical applications where very early warning - Class A or B detection is required.

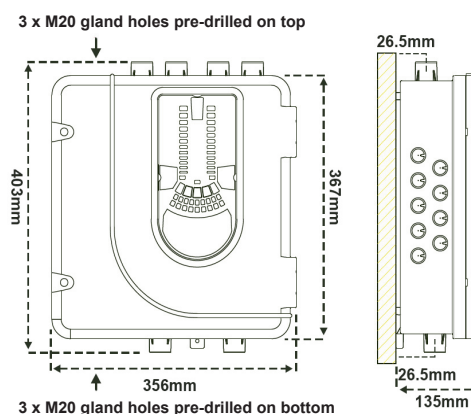
FAAST LT-200 combines proven aspirating detection technologies to deliver reliable smoke detection and efficient installation and maintenance. The device comprises innovative and intelligent internal design features designed to protect vulnerable components. These include a high sensitivity LED detection chamber (featuring a high power output IR LED and high gain IR receiver amplifier), along with ultrasonic flow sensors.

The device is fast to install and easy to commission thanks to Pipe-IQ pipe design and configuration software, which is included as standard.

FAAST LT-200 stand alone devices are available as single channel and dual channel devices, offering flexibility for different detection strategies. A range of customisable settings are geared towards maximising device performance and meeting different application needs. The device also includes pre-alarm functionality for graduated alarm thresholds.

The FAAST LT-200 provides alarm and fault relays with auxiliary events relay as an option. These can be set as latched or non-latched. To accommodate local installation standards or environments, flow and general fault delays can also be set.

Architect/Engineer Specifications



User Interface Display

The front panel will be different depending on which of the 3 stand alone models is being installed.

The following information is displayed

- Alarm level; Alarm, Pre-Alarm
- Particulate Levels; 1-5
- Fault Status
- Flow Level



Physical Specification

Height	403mm (including inlets and outlets)
Width	356mm
Depth	135mm
Cable Access	3 x M20 gland holes pre-drilled on top and bottom of the FAAST LT-200 unit
Wire Gauge	0.5mm ² to 2mm ² max
Maximum Single Pipe Length	100m
Maximum Total Branched Pipe Length	200m (per channel)
Maximum Air Inlet Holes	20 (per channel)
Outside Pipe Diameter	25mm or 27mm
Internal Pipe Diameter	15-21mm
Sensitivity	0.07 - 0.66 % obs/m (Alarm Level 1-5)
Relays	3 (1 Alarm, 1 Fault, 1 Pre-Alarm) x per channel
Sounder outputs	1 per channel
Sound Performance	As low as 26db(A)
Event Log	2,244 Events
Interfaces	Terminal blocks: power supply, relays, sounder outputs, external input; USB port; Buttons (Test, Reset, Disable)
Power supply and relays connections	2mm ² max
USB	Standard USB cable for Type B USB connection
Shipping Weight-	
Including packaging material	6.5 kg (dual channel)
Flow monitoring and reporting	High and low according to EN54-20
Filtration	Replaceable filter
Fan control	10 programmable speeds

Listings and Approvals

VdS	
LPCB	
EN54-20: (holes per channel)	Class A - 3 holes
	Class B - 10 holes
	Class C - 20 holes

System Sensor (Technical Services)

System Sensor Europe
 Email: sse.technical@systemsensoreurope.com
www.systemsensoreurope.com

Electrical Specifications

Smoke Sensor(s)	High sensitivity LED Detection Chamber
External Supply Voltage	18.5-31.5 V
Remote Reset Time	2s
Power Reset	0.5s
Operating Current	
1 Channel Device	170mA @ 24 VDC (excluding sounders)
2 Channel Device	270mA @ 24 VDC (excluding sounders)
Max Alarm Current	
1 Channel Device	360mA @ 24 VDC (excluding sounders)
2 Channel Device	570mA @ 24 VDC (excluding sounders)
Relay Contact Ratings	2.0 A @ 30 VDC, 0.5 A @ 30 VAC

Environmental Specifications

Operating Temperature	-10°C to 55°C
Humidity Range	10% to 93% (non condensing)
IP Rating	65
Coverage Area	Up to 2000m ² according to national design regulations

Ordering Information

Part No.	Description
FL0122E-HS	Stand Alone Dual Channel Detector
FL0112E-HS	Stand Alone Single Channel Dual Detector
FL0111E-HS	Stand Alone Single Channel Detector
Accessories	
F-LT-EB	Earth Bar
FL-IF2	FAAST LT-200 Integral Filter (2 filters per box)
Pipe and Fittings	Please see Aspiration Accessories Brochure

System Sensor Europe (Customer Services)

La Pièce 16,1180,
 Rolle, Switzerland
 Tel: +41 21 695 30 00
 Email: orders@systemsensoreurope.com
www.systemsensoreurope.com