

PSS3-LP 3W Ceiling Speaker 100mm (4.0")

Overview

The PSS3-LP is a 100 mm (4.0") in-ceiling speaker with built-in 100 Vrms line transformer and 22 μ F DC blocking capacitor. The 100 V transformer reduces line losses for longer line distances and allows easy parallel connection of multiple loudspeakers. The blocking capacitor allows DC monitoring of the speaker circuit.

The 100 mm speaker is designed for a wide frequency response of 100 Hz - 16 kHz. The unit has multiple power taps of 0.33W, 0.66W, 1.25W and 3W, for different applications, depending on room size and ambient noise conditions. The body is coloured an attractive RAL9016 colour, the spring clamps make for an easy and secure installation and ease of service access.

The PSS3-LP is an ideal choice for industrial and commercial applications such as in hotels, schools, offices, hospitals, and factories. Note, however, that this speaker is not appropriate in situations where exposure to moisture, extreme humidity, severe vibration, dust, smoke, static electricity, or steam is expected.

The PSS3-LP can be used with the PSS3-LPSME surface mount enclosure for surface mounting application.



Features

- Ideal for low profile false ceilings and surface mounting
- Quick-fit mounting clamps for ceiling installation
- Built-in 100Vrms transformer with protective cover
- 22 μ F bipolar blocking capacitor included
- 100 mm (4.0") speaker unit
- Power taps of 0.33W, 0.66W, 1.25W and 3W @ 100V
- Plastic speaker body colour is RAL9016 White

Specification

Audio Power taps available at 100 Vrms:	0.33 W, 0.66 W, 1.25 W and 3 W
Sensitivity:	88 dB (1W @ 1m)
Ceiling Hole Size for installation:	108 mm diameter
Dimensions:	136 mm diameter x 60 mm height
Weight:	0.5 Kg

Installation Steps

1. Cut a 108 mm diameter hole in the ceiling. If required cut an extra section, 15 mm deep by 75 mm wide to allow the transformer to fit more easily
2. Fit audio cabling to the speaker terminal block as required, observing the correct polarity
3. Set the initial power tap as desired. The default setting, on the side of the transformer, is 0.33 W.

NOTE:

The tap connector is fitted with a safety spring lock to eliminate the risk of disconnection while in service.

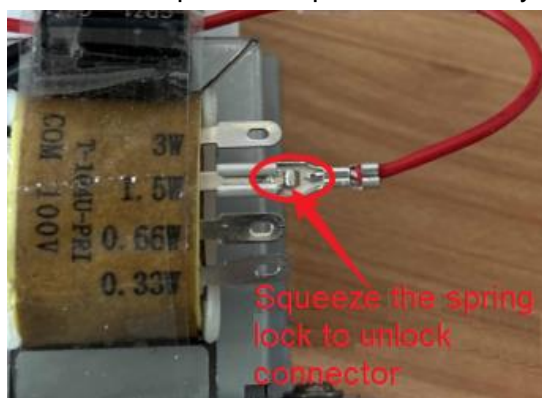


A tap connector with no safety spring lock



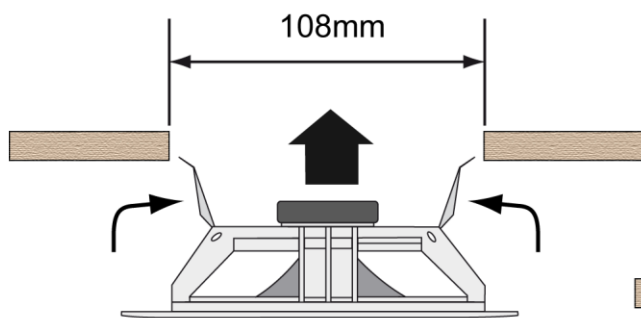
Tap connector with safety spring lock

Squeeze the safety lock with finger and thumb to unlock the connector. If necessary, use needle-nose pliers to squeeze the safety lock.

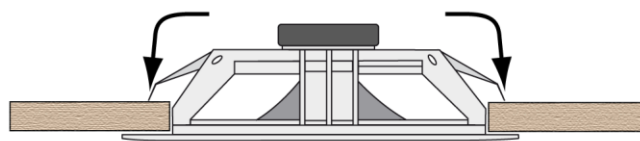


Gently pull the connector to unplug it and fit it to the desired tap.

4. Ensure that the two spring clamps are in the *Install position*, as shown below
5. Push the speaker assembly upwards into the ceiling hole until the two clamps automatically engage, as shown below
6. Test the sound system and if necessary, remove the speaker to adjust the power tap accordingly



2 quick-mount clamps in *Install position*



Clamps automatically engage ceiling

To remove the speaker assembly from the ceiling, gently pull the speaker downwards to disengage the clamps. Do not allow the speaker to be supported by the cables alone.

Order Code:

Product Code	Description
PSS3-LP	100mm (4.0") Ceiling Speaker 3W 108mm Cut Out, White, Low Profile
PSS3-LPSME	PSS3-LP Speaker Surface Mount Enclosure

Document Change History

Issue Number	Change Note	Description of Changes	Author
Issue 1.0 Mar 2014		New installation note	HB
Issue 1.1 Nov 2015			SS
Issue 1.2 Jan 2024		Update safety spring lock terminal connector	RJK
Issue 1.3 April 2024	CN3446	Update specifications	RJK