

PSS5-LPSME Surface Mount Enclosure for PSS5-LP

Overview

The PSS5-LPSME surface mount enclosure allows the PSS5-LP Ceiling Speaker to be mounted when surface wiring is used. The PSS5-LP spring clamps makes for quick and easy fitting to the PSS5-LPSME surface mount enclosure.

Please note the PSS5 Standard Ceiling Speaker cannot be used with the PSS5-LPSME surface mount enclosure.



Specification

Colour:

Ral 9003

Material:

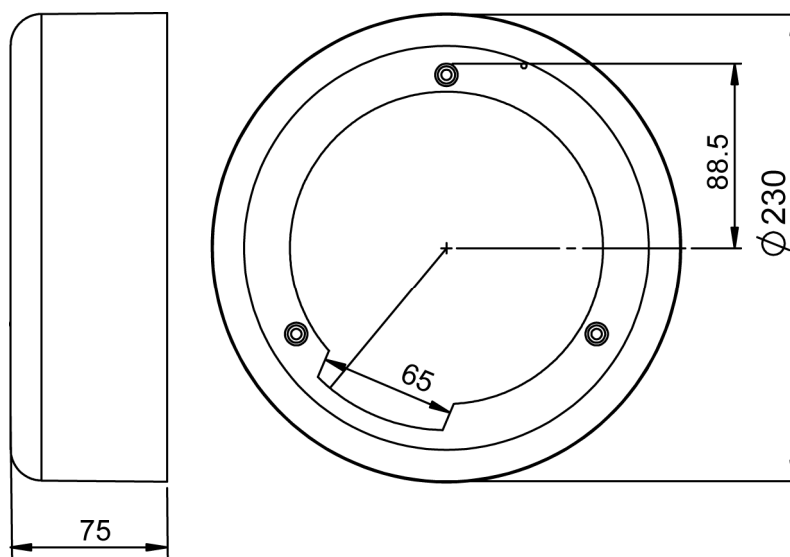
Polylac

Dimensions:

Diameter 230mm x Height 75mm

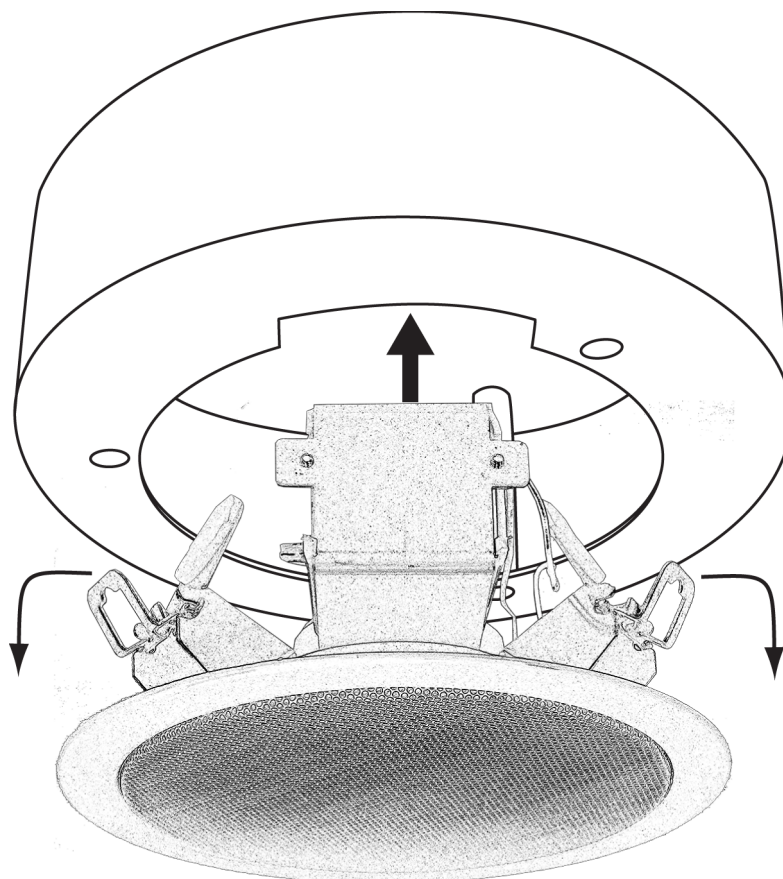
Weight:

200g



Mounting Instructions

1. Decide on suitable location for mounting of surface mount enclosure.
2. Mark then drill three holes to mount enclosure to ceiling or wall.
3. Cut out appropriate holes for conduit, there are four cut outs marked on the side of the enclosure.
4. Mount enclosure to location using three mounting screws appropriate to the applicable ceiling material used.
5. To secure speaker to enclosure, align speaker transformer with the cut out. Then push speaker assembly upwards until all three clamps automatically engage as shown below.
6. To remove the speaker assembly from the enclosure, gently pull the speaker downwards to disengage the clamps. Start with clamp under enclosure dimple first and then apply pressure to the other two clamps. This stops the transformer from catching on the enclosure.



Order Code:

Product	Order Code
Surface Mount Enclosure for PSS5-LP	PSS5-LPSME
Low Profile 100mm 5W Ceiling Speaker	PSS5-LP