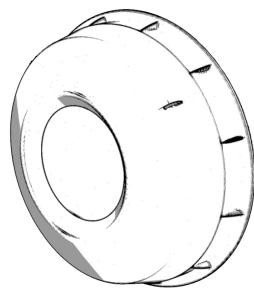


# INSTALLATION INSTRUCTIONS FOR WALL AND CEILING MOUNTED ADDRESSABLE HIGH-OUTPUT EN54-23 BEACON

## MODELS

VAD-PC-N\*\* = Beacon Non Isolation  
 VAD-PC-I\*\* = Beacon Isolation

\*\* = Denotes Customer ID Code



## GENERAL

The range of intelligent AV devices are designed to be connected to analogue addressable fire alarm systems.

These devices must only be connected to control panels that use a compatible proprietary analogue addressable communication protocol.

These devices receive their power from the loop, and can be controlled via the communication protocol(s).

Models VAD-PC-I\*\* containing the character 'I' prior to the Customer ID code include in built isolation providing short circuit protection of the loop.

Up to 159 addresses are available. (consult the panel instructions to confirm compatibility)

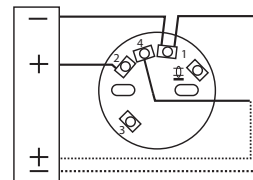
These are selected via the two rotary switches. The 'tens' digits range from 0 to 15 and the 'units' from 0 to 9.

*Note: if the control equipment is not capable of taking more than 99 module addresses, a fault condition will be generated for every address over 99.*

SPECIFICATIONS	VAD-PC-I**, VAD-PC-N**
Signaling Line Supply Voltage (non isolation)	15 to 29VDC (24VDC typical)
Signaling Line Supply Voltage (isolation)	15 to 29VDC (24VDC typical)
Max peak power	800mW
Beacon flash rate	0.5Hz
Max current consumption @ 20V (non isolation)	40mA
Max current consumption @ 20V (isolation)	40mA
Quiescent Current	450uA
Operating temperature range	-25 to +70°C
Relative humidity	93% (± 3%) - non condensing
Terminal Size	Terminal Size 2.5mm <sup>2</sup> - maximum

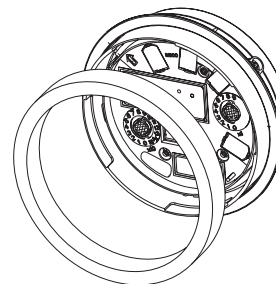
Note: This product is classified as both 'C' and 'W' category device to EN54:23 standard for visual alarm devices.

## TERMINAL CONNECTIONS



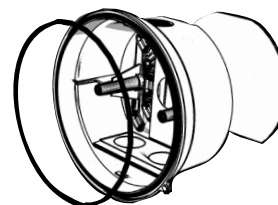
## IP RATING

(IP 21C)



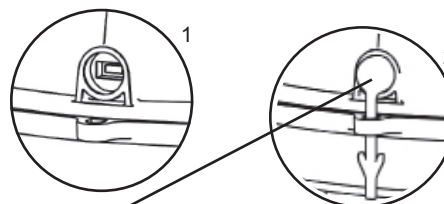
To achieve IP21 rating for ceiling mount the IP21 seal must be fitted to the product. For wall mounted applications the IP21 seal is not required to achieve IP21C.

## Deep Back box (IP 65\*)



IP33C is certified by LPCB to EN54-3 and EN54-23. \*IP65 is certified by UKAS Accredited test facility.

If the deep back box option is required then the wall gasket must be fitted behind the deep base, and the sealing o-ring fitted after attaching the low profile base.

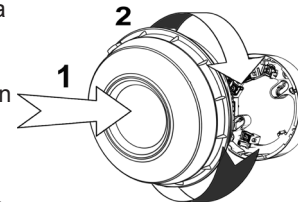


Note: Bung seal must be fitted with the deep back box.

## INSTALLATION

Affix B501AP to a suitably flat wall. Terminate the cable to the appropriate terminals. For surface mount wiring the cable can enter the B501AP via the break outs provided.

Locate the main assembly on to the base by rotating until it locks into place.

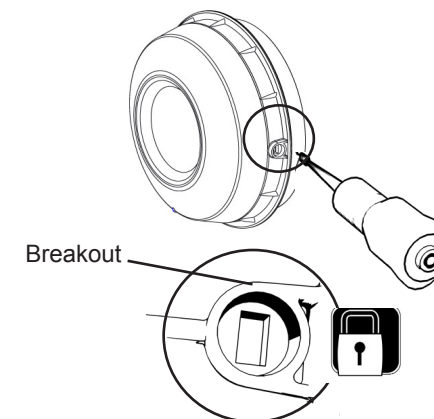
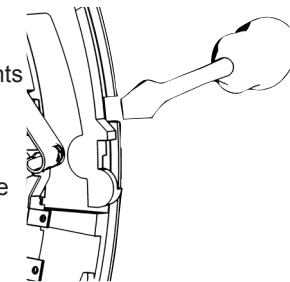


## CONTINUITY SPRING

The B501AP incorporates a continuity spring between terminals 2 and 4. This allows the continuity of the field wiring to be checked without the need for the device to be present. Inserting the device will disengage the spring. Removing the device will close the loop.

## ANTI TAMPER LOCK

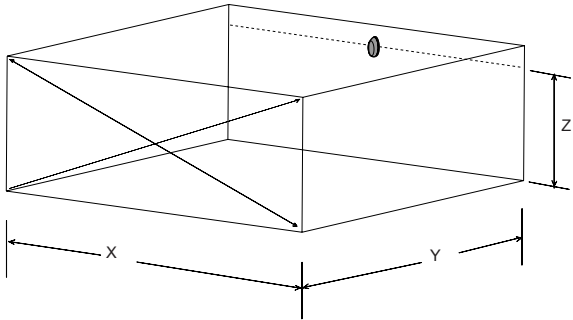
The B501AP also includes a tamper resistant feature that when activated prevents removal of the unit without the use of a special tool. This method is consistent with the anti tamper feature across all devices using this base. This prevents the device being turned to enable its release.



For isolator specification refer to document SP11-2848 available on request

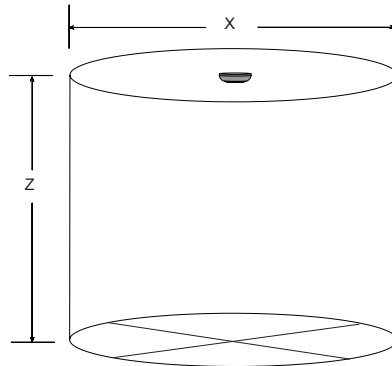
### Wall mount device example

EN54-23	LED	V	Z	Z(Max)	X(Max)	V(m <sup>3</sup> )
W-2.4-2.76	WHITE	15v	2.4	2.76	2.76	18.2
W-2.4-2.76	WHITE	24v (NOM)	2.4	2.76	2.76	18.2
W-2.4-2.76	WHITE	29v	2.4	2.76	2.76	18.2

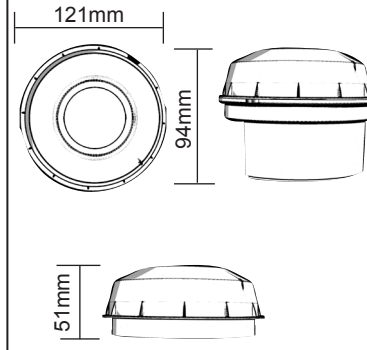


### Ceiling mount device example

EN54-23	LED	V	Z(Max)	X(Max)	V(m <sup>3</sup> )
C-3-5.1	WHITE	15v	3	5.1	61.2
C-6-5.1	WHITE	15v	6	5.1	122.5
C-9-5.1	WHITE	15v	9	5.1	183.8
C-3-5.1	WHITE	29v	3	5.1	61.2
C-6-5.1	WHITE	29v	6	5.1	122.5
C-9-5.1	WHITE	29v	9	5.1	183.8



### DIMENSIONS



2831 15

Life Safety Distribution GmbH,  
System Sensor Europe  
Javastrasse 2, CH-8604  
Hegnau, Switzerland

DOP043-Isolation  
DOP044- Non Isolation

EN 54-17:2005/AC:2007  
Fire Detection and Fire Alarm Systems -  
Short Circuit Isolators

EN 54-23:2010  
Fire Detection and Fire Alarm Systems -  
Visual Alarm Devices

VAD

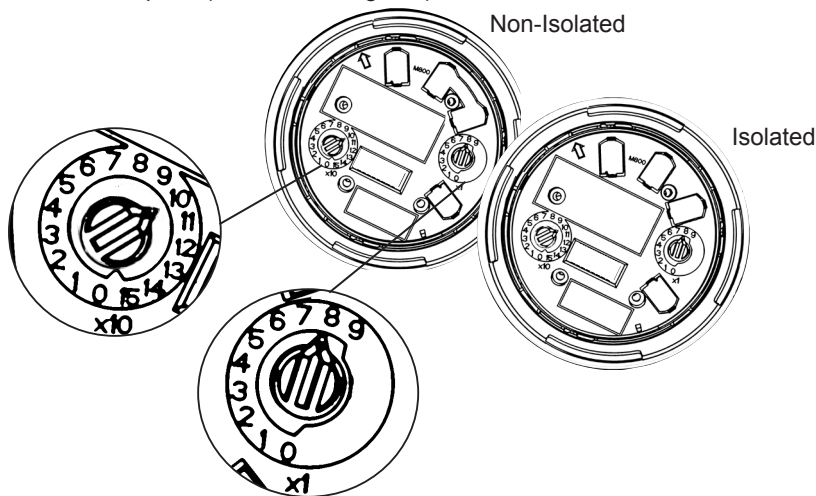
Only product variants supplied with a clear lens are approved to the W and C category EN54-23 standard. Additional coverage information can be obtained by downloading the following drawings from the KAC website:

**C Class - 15/3057**  
**W Class - 15/3058**

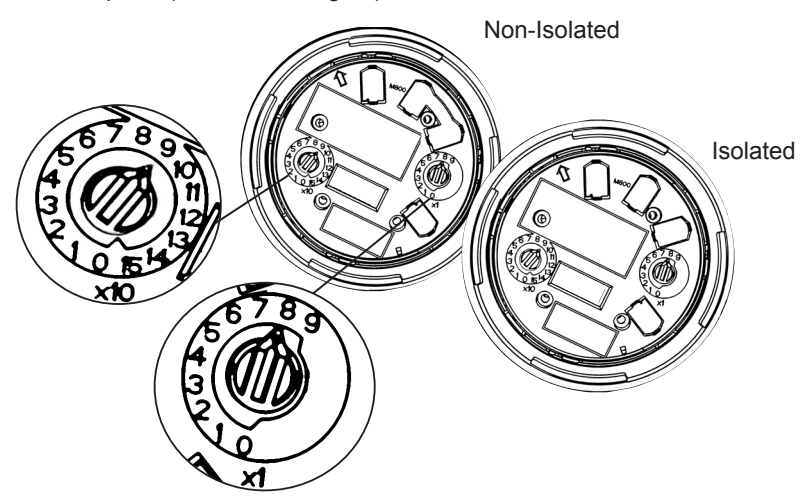
### ADDRESS SETTING

To set one of the 159 available addresses for the device use the two rotary switches located either side of the dip switch cavity. The 'tens' digits range from 0 to 15 and the 'units' from 0 to 9.

Example A (Address setting 108)



Example B (Address setting 98)



We reserve the right to amend the content of this document without prior notice.

KAC ALARM COMPANY LIMITED, Honeywell House, Skimped Hill Lane, Bracknell, Berks, RG12 1EB. T. 0203 4091779 E.

technical@kac.co.uk W. www.kac.co.uk