

6500RTS-KEY INSTALLATION AND OPERATING INSTRUCTIONS

GENERAL DESCRIPTION

The 6500RTS-KEY is a remote annunciator and control unit for use with the 6500 range of projected beam smoke detectors. It is ideal for installations where access to the detector is restricted.

A three position key switch provides remote test and reset functions. The key may only be removed in the central neutral position in order to prevent accidentally leaving the detector in test status. Rotating the switch clockwise from the central position operates the detector's remote test function. Reset is achieved by rotating the switch anti-clockwise. The reset position is a momentary type switch to prevent the detector being left in a disabled state.

The 6500RTS-KEY is equipped with two LED's to indicate the detector's status. When the detector reports a FIRE condition the red LED will be illuminated mimicking the detector's LED, and a FAULT condition is indicated by the yellow LED.

SPECIFICATIONS

Dimensions (Flush): 87mm x 87mm x 52mm (H x W x D)

Dimensions (Surface): 87mm x 87mm x 64mm (H x W x D)

Weight: 178g

Operating Temperature: -30°C to 70°C

Ingression Protection: IP40

MOUNTING INSTRUCTIONS

Flush Mounting

The 6500RTS-KEY may be mounted into standard UK type single switch / socket back boxes. Ensure that the plastic spacer supplied is fitted between the back box and 6500RTS-KEY.

Surface Mounting

A plastic mounting box is supplied for surface mounting. This is fixed to the wall using suitable fastenings (see fig 1 for fixing centres). The plastic spacer and 65600RTS-KEY are then mounted directly to the box using the fixing screws supplied.

WIRING

See figure 2.

Note: Refer to the Maintenance and Wiring sections of the Beam Detector Installation and Maintenance Instructions for additional information.



Figure 1: Back Box Mounting Centres

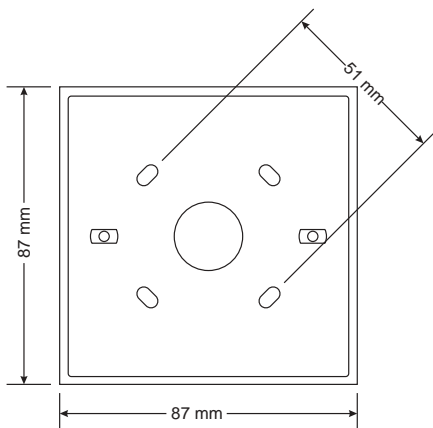


Figure 2: 6500RTS-KEY Wiring

